

# **OPTIONAL EQUIPMENT PARTS CATALOGUE**

**FOR ALL MODELS  
INCLUDING FORWARD CONTROL**



**LAND-  
ROVER**

**PART No. 605159**

PDF by roby65to



# OPTIONAL EQUIPMENT PARTS CATALOGUE

**FOR ALL MODELS  
INCLUDING FORWARD CONTROL**

*By Appointment to  
Her Majesty  
Queen Elizabeth II*



*Manufacturers  
of Motor Cars and  
Land-Rovers*

*By Appointment to  
Her Majesty  
Queen Elizabeth  
the Queen Mother*



*Suppliers  
of  
Motor Cars and  
Land-Rovers*

**THE ROVER COMPANY LIMITED  
SOLIHULL • WARWICKSHIRE • ENGLAND**



Technical Publication No. TP/436A

FEBRUARY, 1967

PART No. 605159



THE "LAND-ROVER 88"



THE "LAND-ROVER 109"

*Please note that all prices and specifications are subject to alteration without notice*

---

# **The Rover Co. Ltd.**

**SERVICE DEPARTMENT:  
SOLIHULL, WARWICKSHIRE  
ENGLAND**

*Telephone:* SHEldon 4242      *Telegrams:* Rovrepair, Solihull, England  
*Telex:* 33-156

**LONDON SERVICE DEPOT:  
SEAGRAVE ROAD, FULHAM  
LONDON S.W.6, ENGLAND**

*Telephone* FULham 1221      *Telegrams:* Rovrepair, Wesphone,  
London, England

**PARTS DEPARTMENT:  
PENGAM WORKS, CARDIFF**

*Telephone* Cardiff 33681      *Telegrams:* Rovparts, Cardiff  
*Telex:* 49-359

**ALWAYS QUOTE TYPE AND NUMBER OF VEHICLE WHEN ORDERING**

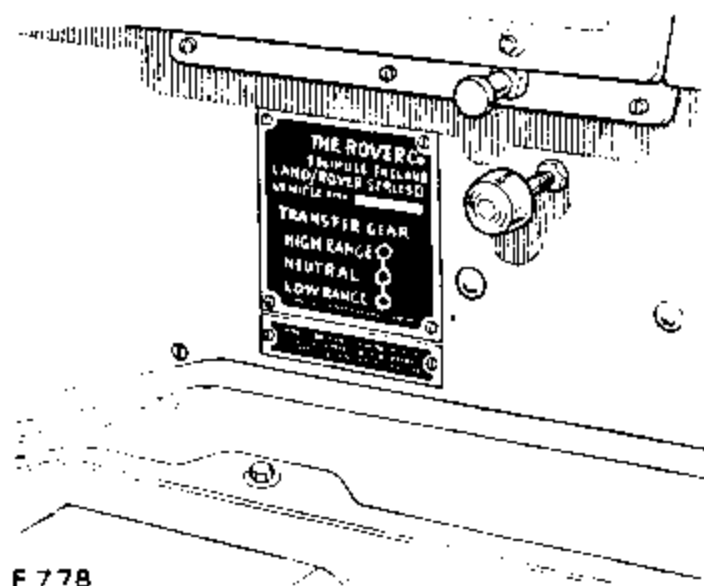
**Glossary of American-English Automotive Part Terms** listed under the following sub-headings:

Body parts, brake parts, chassis parts, electrical equipment, instruments, motor and clutch parts, rear axle and transmission parts, steering parts, tools and accessories, transmission parts and tyres.

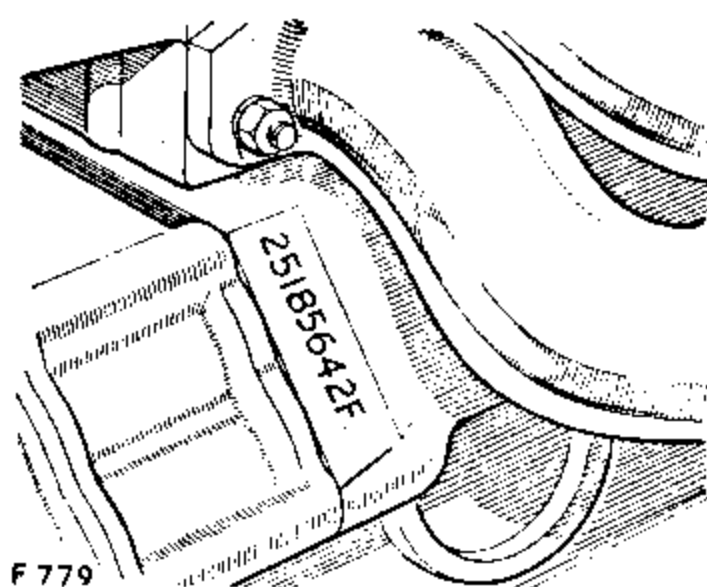
<b>U.S.A.</b>	<b>ENGLISH</b>	<b>U.S.A.</b>	<b>ENGLISH</b>
<b>Body parts</b>		<b>Motor and clutch parts</b>	<b>Engine and clutch parts</b>
Bumper guard	Overrider	Carburetor	Carburetter
Cowl	Scuttle	Clutch throwout bearing	Clutch release bearing
Dashboard	Facia panel	Cylinder crankcase	Cylinder block
Door post	Door pillar	Hose clamp	Hose clip
Door stop	Check strap	Pan	Sump
Door vent	Quarter light	Piston or wrist pin	Gudgeon pin
Fender	Wing		
Firewall	Bulkhead	<b>Rear axle and transmission parts</b>	
Hood	Bonnet	Axle shaft	Half shaft
License plate	Number plate	Drive shaft	Propeller shaft
Rear seat back or backrest	Rear seat squab	Grease fitting	Grease nipple
Rocker panel	Valance	Ring gear and pinion	Crown wheel and pinion
Skirt	Apron		
Tailgate	Tailboard	<b>Steering parts</b>	
Toe pan	Toe board	Control arm	Wishbone
Top	Hood	King pin	Swivel pin
Trunk	Boot	Pitman arm	Drop arm
Windshield	Windscreen	Steering idler	Steering relay
Wheelhouse or housing	Wheel arch	Steering knuckle	Stub axle
		Steering post	Steering column
		Tie bar or track bar	Track rod
<b>Brake parts</b>		<b>Tools and accessories</b>	
Parking brake	Hand brake	Antenna	Aerial
		Crank handle	Starting handle
<b>Chassis parts</b>		Wheel wrench	Wheel brace
Muffler	Exhaust silencer	Wrench	Spanner
Side rail	Side member		
Spring clamp	U-bolt	<b>Transmission parts</b>	<b>Gearbox parts</b>
		Auxiliary gearbox	Transfer box
<b>Electrical equipment</b>		Counter shaft	Layshaft
Back up lamp	Reverse lamp	Gear shift lever	Gear lever
Dimmer switch	Dip switch	Output shaft	Main shaft
Dome lamp	Roof lamp	Parking lock	Parking brake
Gas pump or fuel pump	Petrol pump	Shift bar	Selector rod
Generator	Dynamo	Transmission casing	Gearbox housing
Ignition set	Ignition harness		
Parking lamp	Side lamp	<b>Tires</b>	<b>Tyres</b>
Rear lamp	Tail lamp	Tire	Tyre
Spark plug	Sparking plug	Tread	Track
Turn signal	Trafficator		
Voltage regulator	Control box		
<b>Instruments</b>			
Tachometer	Rev-counter		

## GENERAL EXPLANATION

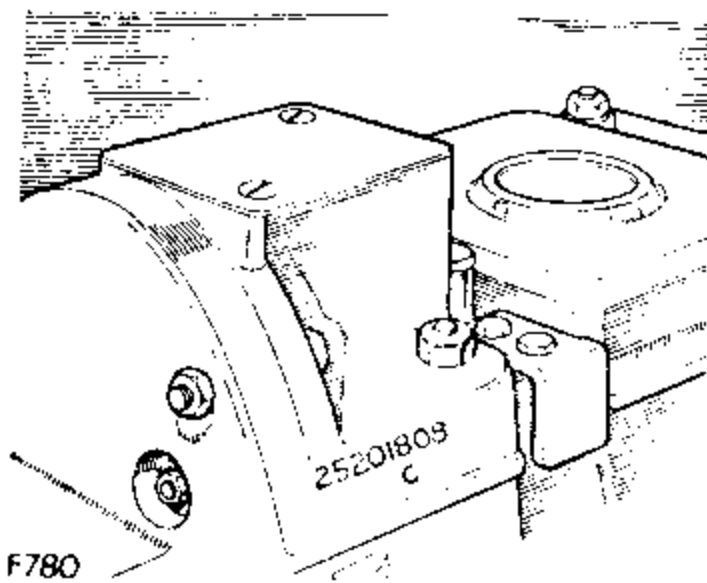
### LOCATION OF CAR AND UNIT NUMBERS



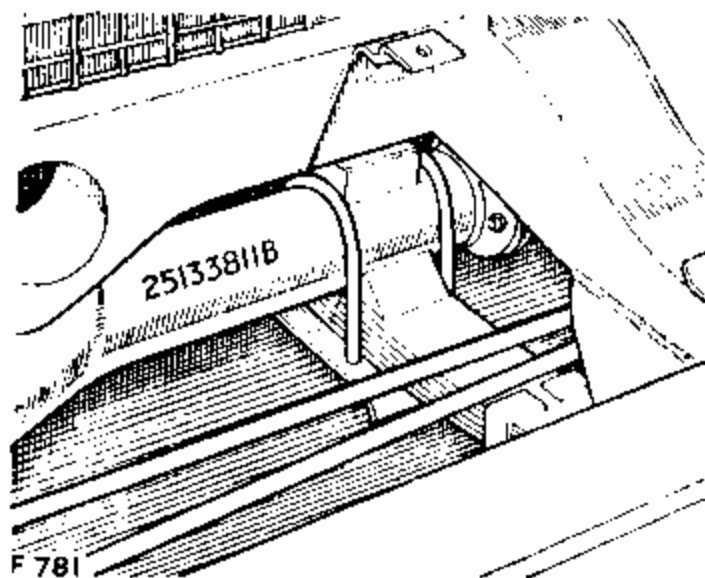
Vehicle and chassis number



Engine number



Gearbox number



Front and rear axle number

This parts catalogue is to be used for all Series II and Series IIA Land-Rover vehicles, Petrol and Diesel models, to both Home and Export specifications.

The part number quoted is always common to all the models covered by the section in question unless otherwise stated, in which case differences are noted in the Remarks column.

As the list covers both Home and Export models, reference is made throughout the text to the 'left-hand' (L.H.) and 'right-hand' (R.H.) sides of the vehicle, rather than to 'near-side' and 'off-side'. The 'left-hand side' is that to the left hand when the vehicle is viewed from the rear; similarly, 'left-hand drive' (L.H.D.) models are those having the driving controls on the left-hand side, again when the vehicle is viewed from the rear.

Assemblies are printed in capitals, and all the parts comprising that assembly are shown by indenting the alignment of the description column, the indentation reverting to the original alignment when the assembly is complete. The indentation is clearly shown by the numbers 1, 2, 3, 4 at the top of each page.

In all cases where the entire assembly is required, quote only the assembly number.

Where applicable, proprietary part numbers are listed in this Parts Catalogue. The first two or three letters of these part numbers are an abbreviation of the manufacturer's name as follows:

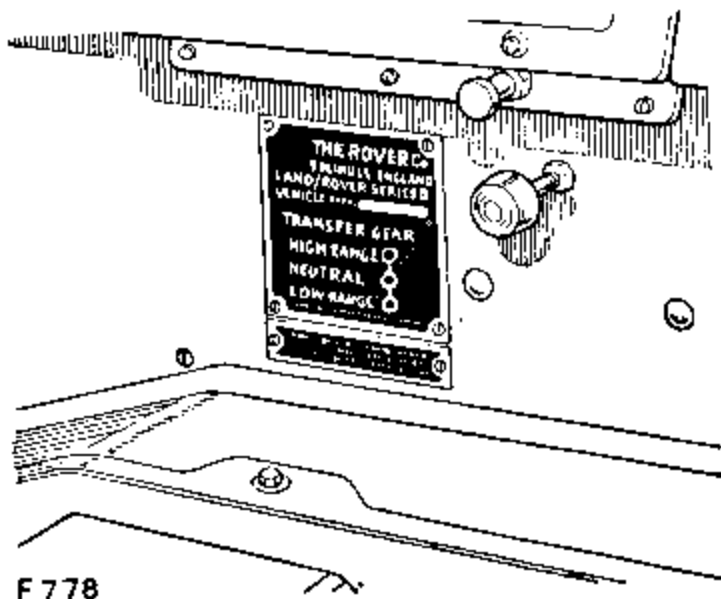
Prefix:	AC — AC Delco	KLG — KLG Ltd.
	BB — Borg and Beck	LU — Lucas
	CAV — CAV Ltd.	SM — Smith
	GI — Girling	SU — S.U.
	JA — British Jaeger	SX — Solex

When ordering parts, always:

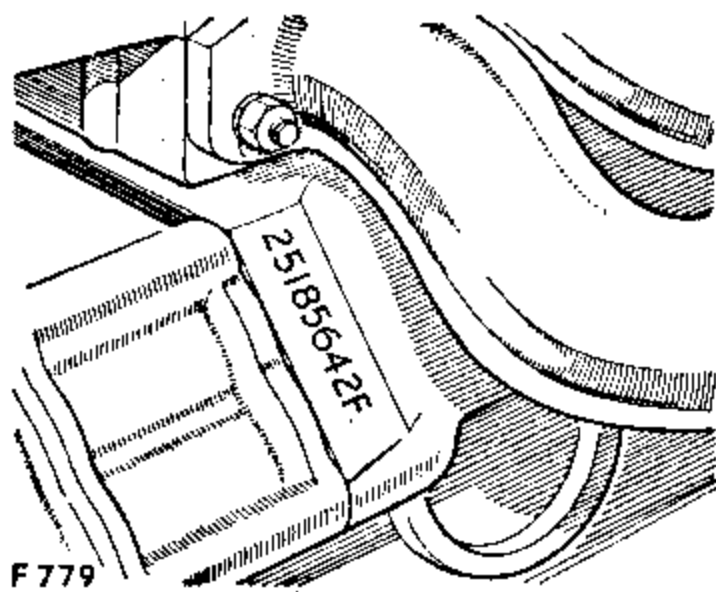
- (1) Quote a part or assembly number, giving the name of the part and the vehicle number for which it is required.
- (2) Order from the nearest authorised Rover Distributor or Dealer.
- (3) Specify how despatch is to be made.

## INSTRUCTIONS GENERALES

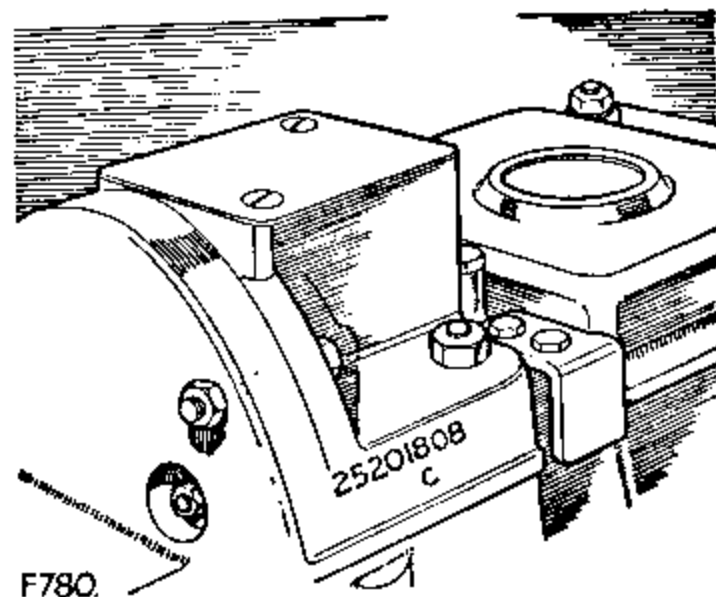
### AMENAGEMENT DES NUMEROS DE VEHICULE ET DE GROUPE



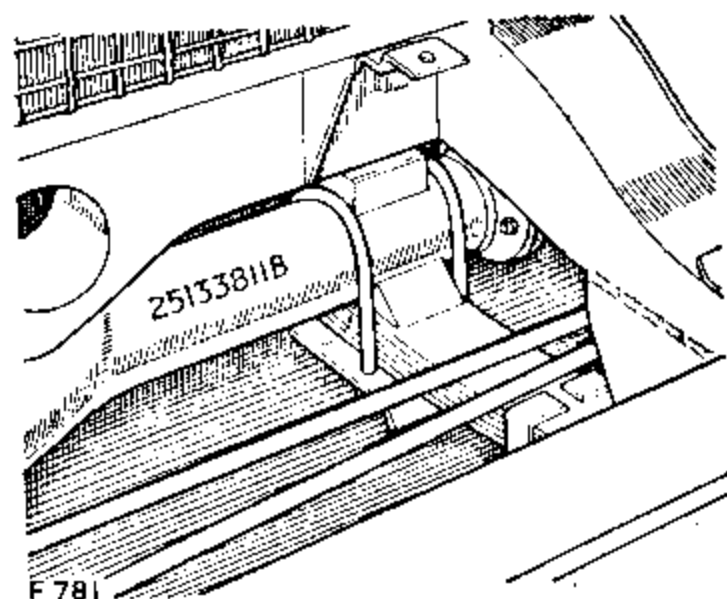
No. de véhicule et de châssis



No. de moteur



No. de boîte de vitesses



No. de pont AV et AR

Ce Catalogue des pièces de rechange doit être utilisé pour rechercher le numéro des pièces désirées pour toutes les Land-Rover de la Série II et IIA munis du moteur Diesel ou à essence, spécifications 'Home' (Marché intérieur) et 'Export' (Marché extérieur).

Le numéro de la pièce est commun à tous les modèles groupés sous la section en question, à moins que la pièce ne soit de désignation spéciale. En pareil cas, les différences sont notées dans la colonne des observations.

Dans ce catalogue, nous avons recours à la spécification droite et gauche, droit et gauche étant définis par rapport à la position qu'occupe le conducteur lorsque celui-ci est assis au volant de son véhicule.

Les ensembles sont imprimés en lettres majuscules et toutes les pièces comprises dans un ensemble sont indiquées en déplaçant la désignation de ces pièces d'une colonne vers la droite par rapport à la position qu'occupe la désignation de l'ensemble. Lorsque cet ensemble est complet, la désignation de la pièce suivante est ramenée à l'alignement original, c'est-à-dire vers la gauche. L'alignement des désignations est clairement montré par les numéros 1, 2, 3, 4, en haut de chaque page.

Lorsqu'un ensemble complet est désiré, il suffira d'indiquer le numéro de l'ensemble.

Toutes les fois qu'il a été possible, les numéros des pièces des différentes marques ont été portés dans ce catalogue. Les deux premières lettres de ces numéros représentent l'abréviation du nom du constructeur, comme suit:

Préfixe: AC	— AC Delco	KLG	— KLG Ltd.
BB	— Borg and Beck	LU	— Lucas
CAV	— CAV Ltd.	SM	— Smith
GI	— Girling	SU	— S.U.
JA	— British Jaeger	SX	— Solex

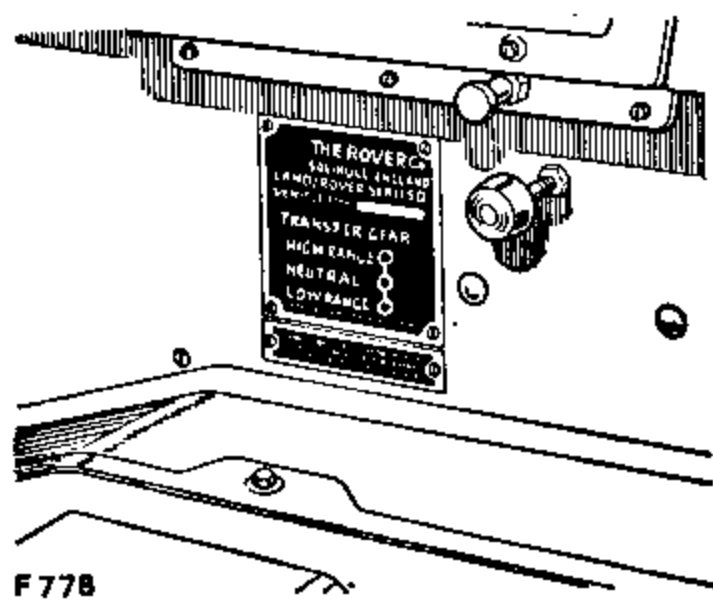
Dans la passation des commandes, il est indispensable de:

- (1) Donner le numéro de la pièce ou de l'ensemble, la désignation complète de chaque pièce ainsi que le numéro du véhicule à laquelle la pièce est destinée.
- (2) Spécifier le mode d'expédition désiré.
- (3) Placer la commande avec l'agent Rover le plus proche.

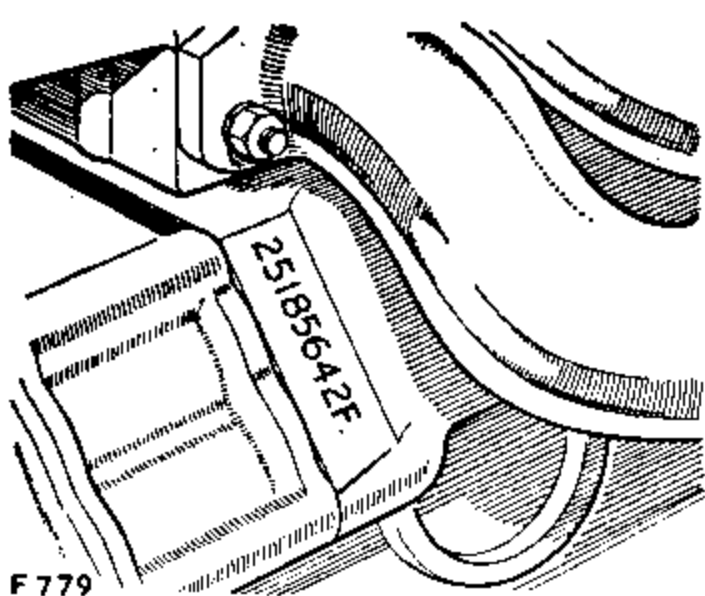


## ALLGEMEINE BEMERKUNGEN

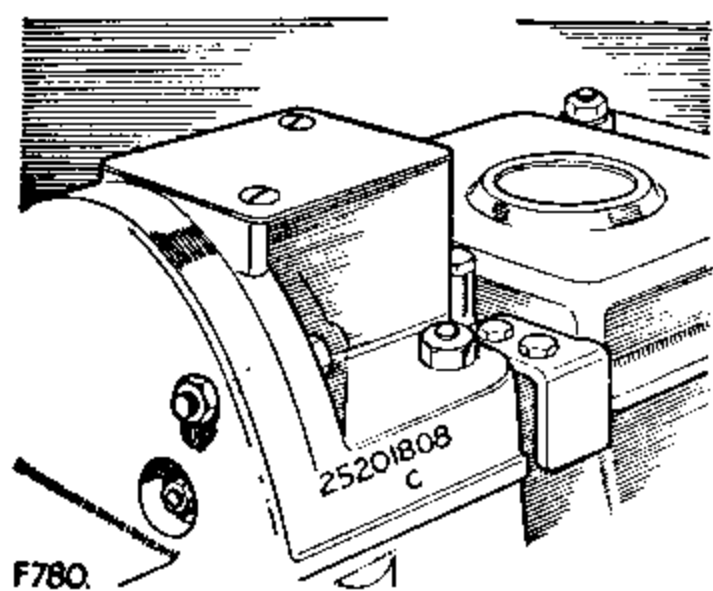
### ANORDNUNG DER FAHRZEUG- UND GRUPPENNUMMERN



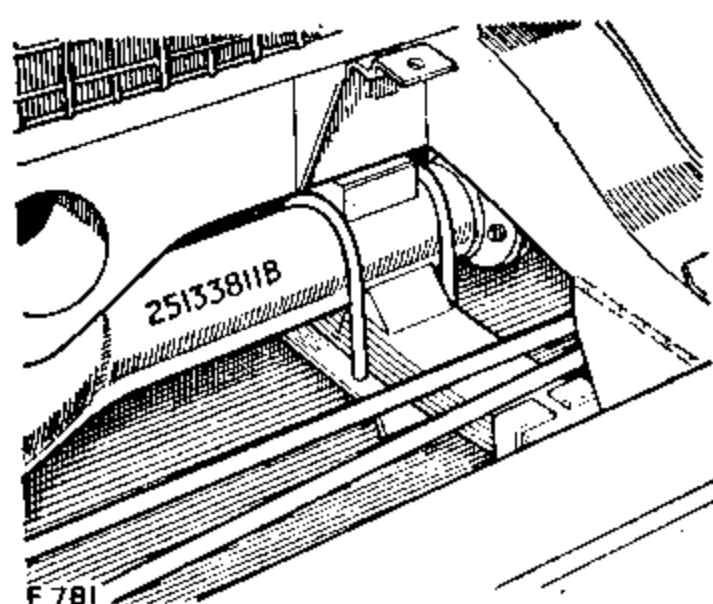
Fahrzeug- und Chassisnummer



Motornummer



Getriebe- und Motornummer



Vorder- und Hinterachsnummer

Dieser Ersatzteilkatalog ist für alle für den Inland- und Exportmarkt hergestellten Land-Rover der Serie II und IIA mit Diesel- und Benzinmotor zu verwenden.

Die Ersatzteilnummern sind, soweit nicht anders bemerkt, stets allen, in dem betreffenden Abschnitt angeführten Modellen gemeinsam. Ausnahmen sind in der Rubrik Remarks vermerkt.

Der Text dieses Katalogs, der Inland- und Exportmodelle umfasst, nimmt Bezug auf die linke (L.H.) und rechte (R.H.) Seite des Fahrzeuges. Diese Bezeichnungen beziehen sich auf die Seiten des Wagens, wenn dieser von der Rückseite betrachtet wird. Dementsprechend bedeutet L.H.D. linksgesteuerte und R.H.D. rechtsgesteuerte Modelle.

Aus mehreren Einzelheiten bestehende, grössere Ersatzteilsätze sind in Grossbuchstaben gedruckt und alle Teile eines solchen Satzes sind im Text eingerückt angeführt. Das Ende dieses Satzes ist dadurch angegeben, dass der nächstfolgende Ersatzteil wieder auf die ursprüngliche Spaltenbreite vorgerückt ist. Die Einrückung ist durch die am Kopfe jeder Seite befindlichen Ziffern 1, 2, 3, 4 deutlich angegeben.

Bei Bestellung eines grösseren Ersatzteiles gebe man nur die Nummer des kompletten Ersatzteilsatzes an.

Wo eigentumsrechtlich geschützte Ersatzteile verwendet werden, sind diese im Ersatzteilkatalog dadurch gekennzeichnet, dass die ersten zwei Buchstaben eine Abkürzung des Namens der Herstellerfirma darstellen:

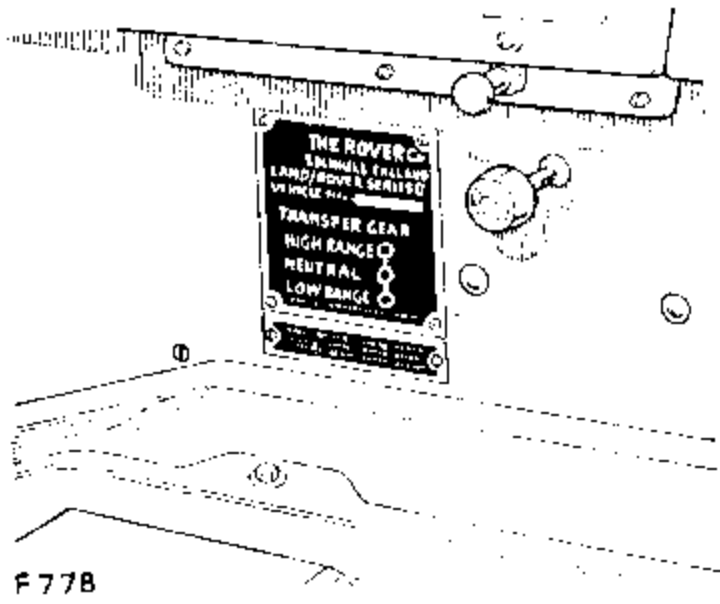
Schlüsselbuchstaben:	AC — AC Delco	KLG — KLG Ltd.
	BB — Borg and Beck	LU — Lucas
	CAV — CAV Ltd.	SM — Smith
	GI — Girling	SU — S.U.
	JA — British Jaeger	SX — Solex

Bei Bestellungen beachte man stets folgendes:

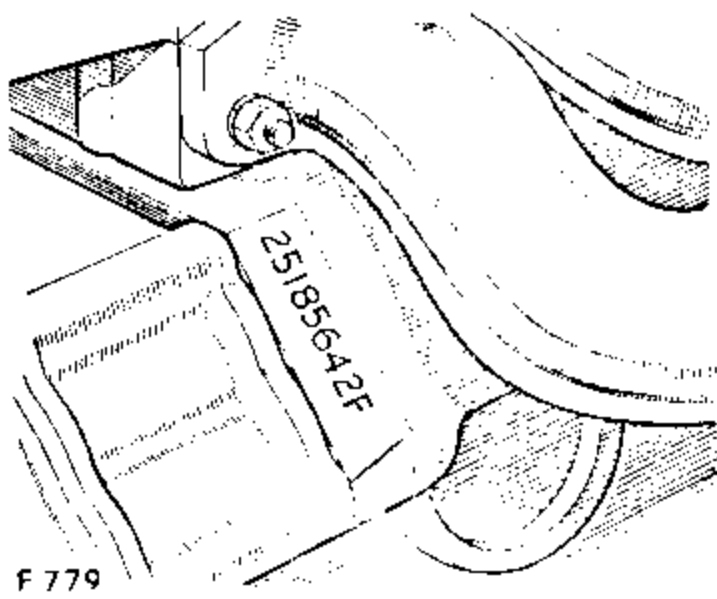
- (1) Folgende Einzelheiten sind anzugeben: Die Nummer und Bezeichnung des Ersatzteiles oder Ersatzteilsatzes, und die Nummer des Fahrzeuges, für welches diese Teile gebraucht werden.
- (2) Man bestelle vom nächsten bevollmächtigten Rover Händler oder Vertreter.
- (3) Man gebe die nötigen Versandvorschriften.

## INSTRUÇÕES GERAIS

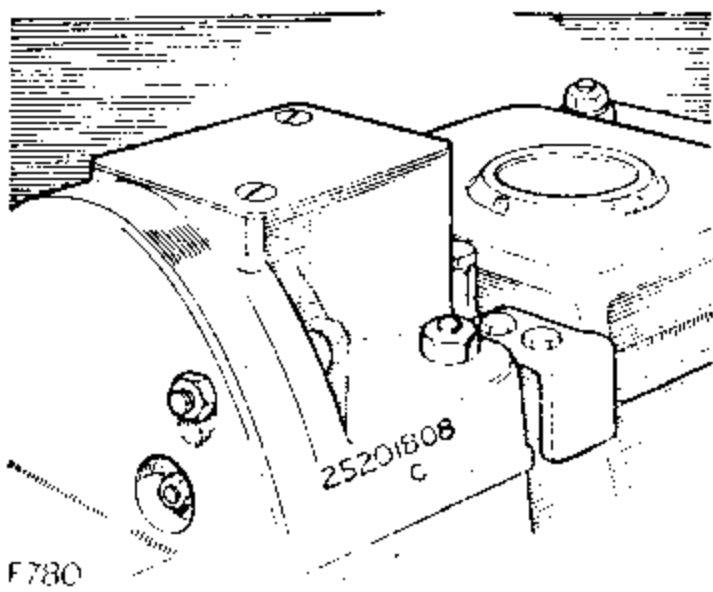
### SITUAÇÃO DOS NUMEROS DE UNIDADE E DE VEÍCULO



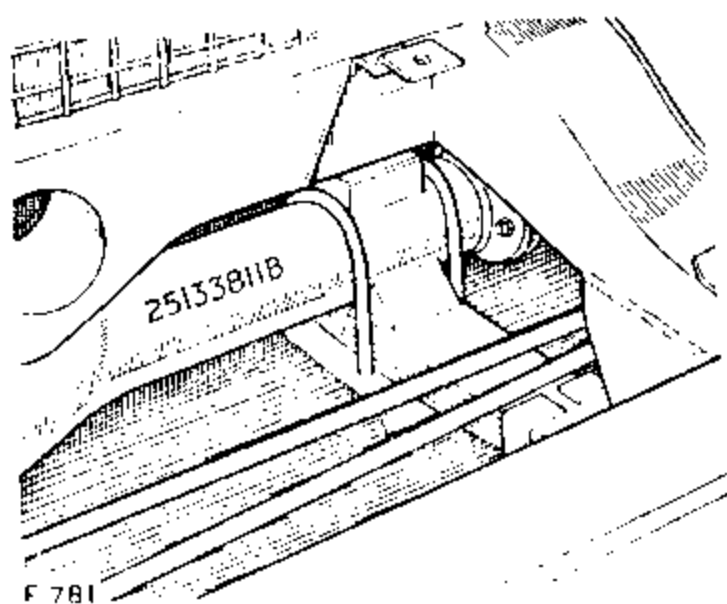
Número de viatura e de chassis



Número do motor



Número do caixa velocidades



Número de eixo dianteira e trasero

Este catálogo de peças sobressalentes destina-se aos veículos Land-Rover modelos série II e IIA com motor Diesel o de gasolina, tanto para os modelos do mercado interno, como para os de exportação.

O número indicado para cada peça é sempre comum a todos os modelos abrangidos pela parte do catálogo em questão, a não ser que se especifique o contrário, em cujo caso as exceções são anotadas na coluna de 'Remarks' (Observações).

Como este catálogo se refere igualmente a modelos de Mercado Interno e de Exportação, faz-se sempre referência no texto aos lados esquerdo (L.H.) e direito (R.H.) do veículo, sendo o primeiro o que fica do lado da mão esquerda quando se olha para o veículo da parte traseira. Os veículos com volante à esquerda (L.H.D.) são aqueles que têm os comandos da direcção do lado esquerdo, também quando se olha para o veículo do parte de trás.

Os conjuntos são impressos em letras maiúsculas e todas as peças que fazem parte de um conjunto são indicadas escrevendo os respectivos nomes afastados um espaço para a direita do alinhamento do coluna descritiva; logo que o conjunto esteja completo, deixa de dar-se esse espaço e volta-se al alinhamento original. As mudanças de alinhamento são facilmente observadas por meio dos números 1, 2, 3, 4, escritos no topo de cada página.

Em todos os casos em que se pretenda um conjunto completo, é suficiente indicar apenas o número do conjunto.

Onde resulta aplicável, os números de peças com nome de propriedade exclusiva são indicados neste catálogo de peças. As duas primeiras letras dos números destas peças são uma abreviação dos nomes dos fabricantes, ou seja:

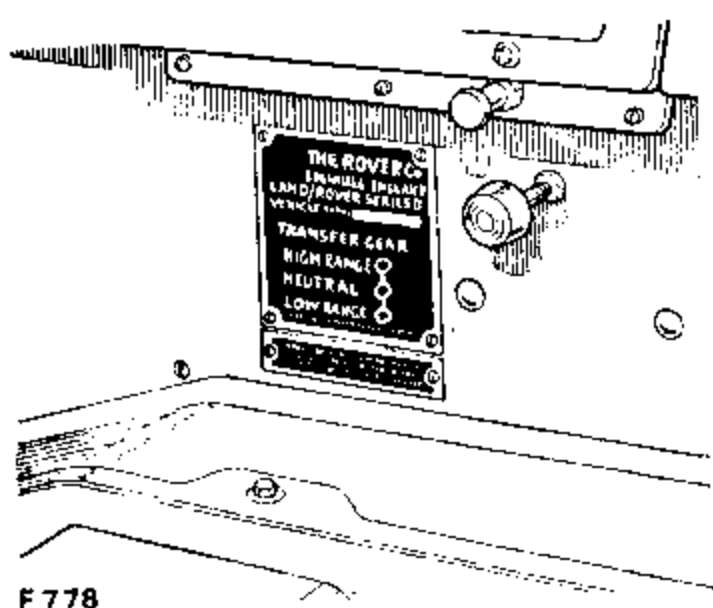
Prefixo: AC	— AC Delco	KLG	— KLG Ltd.
BB	— Borg and Beck	LU	— Lucas
CAV	— CAV Ltd.	SM	— Smith
GI	— Girling	SU	— S.U.
JA	— British Jaeger	SX	— Solex

Ao fazer a encomenda de peças sobressalentes, deve sempre:

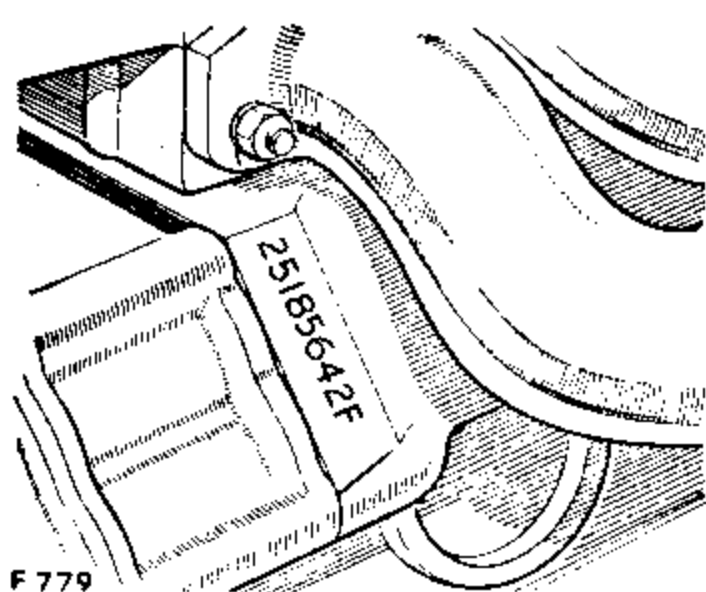
- (1) Indicar-se o número da peça ou o número do conjunto, dando ao mesmo tempo o nome da peça e o número do veículo a que se destina;
- (2) Dirigir-se a encomenda ao Distribuidor Rover mais próximo;
- (3) Especificar-se como o despacho deve ser feito.

## INSTRUCCIONES GENERALES

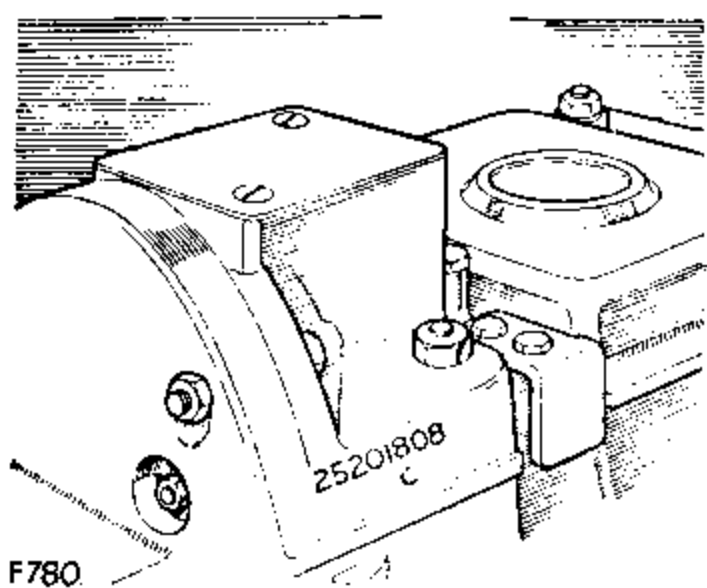
### UBICACION DE NUMEROS DE COCHE Y UNIDAD



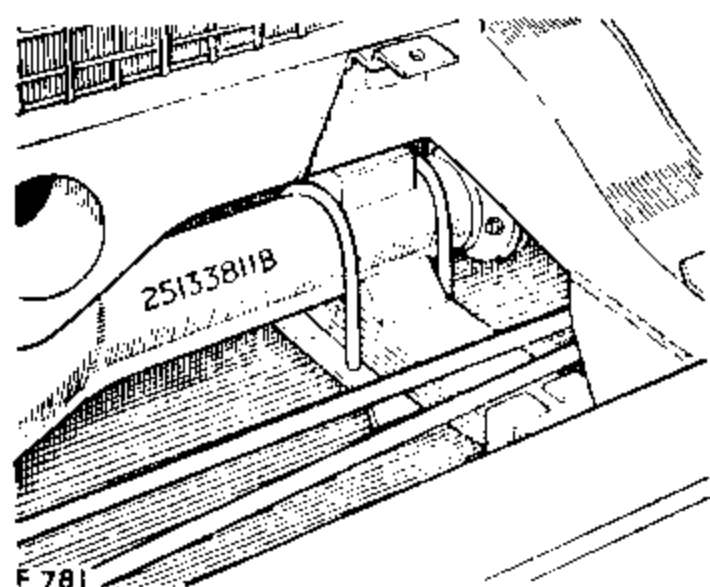
F 778  
Número de coche y de chasis



F 779  
Número de motor



F 780  
Número de caja velocidades



F 781  
Número del eje delantero y trasero

Este catálogo de piezas de repuesto debe ser empleado para todos los vehículos Land-Rover modelos Serie II y IIA dotados del motor Diesel o de gasolina, tanto en los modelos nacionales, como para la exportación.

El número de pieza citado es siempre común a todos los modelos a que se hace referencia en la sección, a menos que se indique de otra forma, en cuyo caso, dicha diferencia está anotada en la columna titulada 'Remarks' (Observaciones).

Como la lista se refiere a modelos Nacionales y de Exportación, la referencia en el texto se hace a vehículos con volante a la izquierda (L.H.) y volante a la derecha (R.H.). El costado izquierdo del vehículo es aquél que queda situado a la mano izquierda cuando se ve el vehículo desde su parte posterior; los vehículos con volante a la izquierda son aquellos que tienen los mandos de la dirección a la izquierda, también cuando el vehículo se ve desde la parte posterior.

Los conjuntos van impresos en mayúsculas y todas las piezas que comprenden dicho conjunto quedan indicadas por espaciados o desplazamientos de la alineación de la columna descriptiva; el espaciado vuelve a la alineación primitiva cuando el conjunto queda terminado. El espaciado se aprecia con toda claridad por la numeración 1, 2, 3, 4 en la parte superior de cada página.

En todos los casos donde se requiere un conjunto completo, cítese solamente el número del conjunto.

Donde resulta posible, se indican los iniciales y los números de los fabricantes ó propietarios. Las primeras dos letras de los números de estas piezas son abreviaciones del nombre del fabricante, ó sea:

Prefijo: AC	— AC Delco	KLG	— KLG Ltd.
BB	— Borg and Beck	LU	— Lucas
CAV	— CAV Ltd.	SM	— Smith
GI	— Girling	SU	— S.U.
JA	— British Jaeger	SX	— Solex

Al pedir piezas de repuesto, siempre:

- (1) Se citará el número de la pieza o número del conjunto, dando el número de la pieza y número del vehículo para el cual se precisa.
- (2) Colóquese el pedido con el Distribuidor Rover más próximo.
- (3) Especifíquese como se ha de efectuar el envío.

## INDEX TO SECTIONS

	<i>Description</i>	<i>Page</i>		<i>Description</i>	<i>Page</i>
<b>A</b>	AC/DC generator and pulleys section, 12 volt, 2½ litre Petrol, Series II and IIA ..	16-19		Hard top and tropical roof, 109, with fixed side windows or plain sides .. ..	214-223
	AC/DC generator, electrical section, 12 volt, 2½ litre Petrol, Series II and IIA ..	20-23		Hood, three-quarter length, 88 .. ..	182-185
	AC/DC generator and battery charging, 12 volt, special features introduction, 2½ litre Petrol and 2½ litre Diesel, Series IIA .. .. .	25		Hood, three-quarter length, 109 .. ..	192-197
	AC/DC generator and pulleys, 12 volt, 2½ litre Petrol and 2½ litre Diesel, Series IIA	26-29		Hydraulic front winch, 88 and 109 ..	88-93
	AC/DC generator, battery charging system, 12 volt, 2½ litre Petrol and 2½ litre Diesel, Series IIA .. .. .	30-37		Hydraulic front winch, Forward Control ..	104-109
	AC/DC generator and battery charging system, 12 volt, 109 Forward Control, 2½ litre Petrol .. .. .	38-40		Hydraulic front winch mechanism, 88 and 109	94-103
				<b>M</b> Miscellaneous optional equipment ..	236-251
<b>B</b>	Bottom power take-off unit with hydraulic pump .. .. .	111-115		<b>N</b> Numerical index .. .. .	255-262
	Bottom power take-off unit with mechanical drive .. .. .	117-121			
<b>C</b>	Cab and tropical roof .. .. .	160-163		<b>O</b> Oil cooler, 2 litre Petrol .. ..	46-49
	Centre P.T.O. gearbox unit, Forward Control	136		Oil cooler, 2½ litre Petrol .. ..	56-63
<b>D</b>	De luxe trim for cab, upper .. ..	164-165		Oil cooler, Diesel .. ..	50-55
	De luxe trim for doors and floor .. ..	166-167		Overhaul kits .. ..	252-253
<b>E</b>	Eight-bladed fan and engine tie-rod, 2½ litre Petrol .. .. .	42-43		<b>P</b> Publications .. .. .	254
	Eight-bladed fan and engine tie-rod, 2 litre Diesel .. .. .	44-45			
	Engine governor, 2 litre Petrol .. ..	6-9		<b>R</b> Rear body with drop sides, Forward Control	168-170
	Engine governor, 2½ litre Petrol .. ..	10-15		Rear body with fixed sides, Forward Control	171-173
<b>F</b>	Flashing indicators .. .. .	154-159		Rear body with flat platform, Forward Control .. .. .	174
	Fresh air heater, 2 litre Petrol, L.H.D. ..	146-149		Rear door, hard top, 88 and 109 ..	224-227
	Fresh air heater, 2½ litre Petrol, L.H.D. ..	150-153		Rear and centre P.T.O. gearbox units ..	124-127
	Front capstan winch, 2 litre Petrol ..	76-81		Rear P.T.O. drive section .. ..	128-133
	Front capstan winch, 2½ litre Petrol and Diesel .. .. .	82-87		Rear P.T.O. pulley section .. ..	134-135
	Full length hood and fittings, 88 ..	176-181		Rear power take-off .. ..	123
	Full length hood and fittings, 109 ..	186-191		Rear seats, 88 and 109 .. ..	228-229
<b>H</b>	Hand throttle, 2 litre Petrol .. ..	70-71		Rear seats, Forward Control .. ..	230
	Hand throttle, 2½ litre Petrol and all Forward Control .. .. .	72-75		<b>T</b> Towing attachments .. .. .	232-235
	Hard top and tropical roof, 88, with fixed side windows or plain sides .. ..	198-205			
	Hard top and tropical roof, 88, with sliding side windows .. .. .	206-213		<b>U</b> Universal joint cover plates .. ..	64-65
			<b>V</b> Vehicle heater, front, 2 litre Petrol ..	138-139	
			Vehicle heater, front, 2½ litre Petrol and Diesel .. .. .	140-143	
			Vehicle heater, rear, 2½ litre Petrol ..	144-145	
			<b>W</b> Water temperature and oil pressure gauge, 2 litre Petrol .. .. .	64-65	
			Water temperature and oil pressure gauge, 2½ litre Petrol and Diesel .. ..	66-67	
			Water temperature and oil pressure gauges, Forward Control .. .. .	68	



	Description	Page
<b>F</b>	Fan, eight-blade, 2½ litre Petrol .. ..	43
	Fan, eight-blade, 2 litre Diesel .. ..	45
	Fan, eight-blade, AC/DC generator, 12 volt .. ..	19, 29
	Fan, eight-blade, engine governor, 2½ litre Petrol .. ..	15
	Fan, oil cooler, 2 litre Petrol .. ..	49
	Fan, oil cooler, 2½ litre Petrol .. ..	61
	Fan, oil cooler, Diesel .. ..	53
	Fan belt, AC/DC generator, 12 volt .. ..	19, 29, 39
	Fan belt, eight-blade fan, 2 litre Diesel .. ..	45
	Fan belt, eight-blade fan, 2½ litre Petrol .. ..	43
	Fan belt, engine governor .. ..	7, 13
	Fan belt, oil cooler, 2½ litre Petrol .. ..	63
	Fan belt, oil cooler, Diesel .. ..	53
	Fire extinguisher .. ..	250
	Flasher harness .. ..	155
	Flasher switch .. ..	155
	Flasher unit .. ..	155
	Floor covering trim .. ..	167
	Floor mat .. ..	251
	Floor, rear, Forward Control .. ..	168, 171, 174
	Flyscreen .. ..	250
	Folding step, side doors .. ..	249
	Folding step at tailboard, Forward Control .. ..	248
	Frame, chassis, 88, AC/DC generator, 12 volt .. ..	37
	Frame, chassis, 109, AC/DC generator, 12 volt .. ..	37
	Frame, rear seat, 88 and 109 .. ..	229
	Freewheel hub .. ..	238
	Front capstan winch, 2 litre Petrol .. ..	77
	Front capstan winch, 2½ litre Petrol and Diesel .. ..	83
	Front cover, engine, AC/DC generator, 12 volt .. ..	37, 38
	Front flasher lamp .. ..	155, 157
	Front floor mat .. ..	167
	Front lifting and towing rings .. ..	235
	Front mudflap kit .. ..	240
	Front panel and corner posts, body drop sides, Forward Control .. ..	168
	Front panel and corner posts, body fixed sides, Forward Control .. ..	171
	Front panel and corner posts, body flat platform, Forward Control .. ..	174
	Front pull equipment, hydraulic winch, Forward Control .. ..	108
	Front rollers, hydraulic winch, Forward Control .. ..	108
	Front swivel housing gear .. ..	237
	Fuel tank, auxiliary, Forward Control .. ..	242, 243
<b>G</b>	Gaiter, front swivel housing .. ..	237
	Gasket kits .. ..	252, 253
	Gauge mounting bracket .. ..	244
	Gauge, oil pressure, Forward Control .. ..	68
	Gauge, oil temperature, oil cooler, 2 litre Petrol .. ..	47
	Gauge, oil temperature, oil cooler, 2½ litre Petrol .. ..	61
	Gauge, oil temperature, oil cooler Diesel .. ..	53
	Gauge, water temperature and oil pressure, 2 litre Petrol .. ..	65
	Gauge, water temperature and oil pressure, 2½ litre Petrol and Diesel .. ..	67
	Gauge, water temperature, Forward Control .. ..	68
	Gears, bottom P.T.O. .. ..	113, 119
	Gear, oil pump, oil cooler, 2 litre Petrol .. ..	49
	Gears and shafts, hydraulic front winch, 88 and 109 .. ..	89, 95
	Gearbox casing, hydraulic front winch, 88 and 109 .. ..	89
	Gearbox casing, hydraulic winch, Forward Control .. ..	104
	Gearbox cover, trim .. ..	167
	Generator, AC/DC, 12 volt .. ..	17, 27, 38
	Governor, engine, 2 litre Petrol .. ..	7
	Governor, engine, 2½ litre Petrol .. ..	11
	Governor, quadrant .. ..	7, 13
	Grease, brake .. ..	252
	Grommet set for propeller shaft .. ..	237
	Guard, P.T.O. spline, rear .. ..	133
	Guide bar, front capstan winch, 2 litre Petrol .. ..	81
	Guide bar, front capstan winch, 2½ litre Petrol and Diesel .. ..	87
	Guide, cable, hydraulic front winch, 88 and 109 .. ..	93
	Guide cable, hydraulic winch, Forward Control .. ..	105
<b>H</b>	Hand brake lever, cranked .. ..	240
	Hand throttle, 2 litre Petrol .. ..	71
	Hand throttle, 2½ litre Petrol .. ..	73
	Hand throttle lever, 2½ litre Petrol .. ..	73
	Hand throttle lever, 2 litre Petrol .. ..	71

	Description	Page
	Handle, front door pull .. ..	167
	Handle, starting, front capstan winch, 2 litre Petrol .. ..	81
	Handle, starting, front capstan winch, 2½ litre Petrol and Diesel .. ..	87
	Hard top, 88 .. ..	199, 207
	Hard top, 109 .. ..	215
	Harness, body safety .. ..	250
	Harness, dash, AC/DC generator, 12 volt .. ..	21
	Harness for flasher .. ..	155
	Harness, main, AC/DC generator, 12 volt .. ..	33, 40
	Heat shield, AC/DC generator, 12 volt .. ..	17
	Heater box, vehicle heater, fresh air, Petrol, L.H.D. .. ..	147, 151
	Heater, vehicle, fresh air, 2 litre Petrol, L.H.D. .. ..	147
	Heater, vehicle, fresh air, 2½ litre Petrol, L.H.D. .. ..	151
	Heater, vehicle, front, 2 litre Petrol .. ..	139
	Heater, front, 2½ litre Petrol and Diesel .. ..	141
	Heater, vehicle, rear, 2½ litre Petrol .. ..	145
	Heater, immersion, for block .. ..	236
	Heavy duty road springs .. ..	239
	Hinge, body side, Forward Control .. ..	169
	Hinge, rear lid, 88 .. ..	201, 211
	Hinge, tailboard, Forward Control .. ..	169, 172
	Hinge, rear door, hard top .. ..	227
	Hinge, rear lid, hard top, 109 .. ..	219
	Hood, full length, 88 .. ..	177
	Hood, full length, 109 .. ..	187
	Hood, three-quarter length, 88 .. ..	183
	Hood, three-quarter length, 109 .. ..	193
	Hoodsticks, 88 .. ..	179, 183, 185
	Hoodsticks, 109 .. ..	189, 195, 197
	Hook, towing .. ..	235
	Hose, radiator, bottom, AC/DC generator, 12 volt .. ..	37
	Hose, radiator, bottom, engine governor, 2½ litre Petrol .. ..	15
	Hose, water pipes, vehicle heater, front, 2 litre Petrol .. ..	139
	Hose, water pipes, vehicle heater, front, 2½ litre Petrol and Diesel .. ..	141
	Hose, water pipes, vehicle heater, rear, 2½ litre Petrol .. ..	145
	Hourmeter .. ..	244
	Housing, pulley drive, rear P.T.O. .. ..	135
	Housing, thermostat, vehicle heater, fresh air, 2 litre Petrol, L.H.D. .. ..	149
	Housing, thermostat, vehicle heater, front, 2 litre Petrol .. ..	139
	Housing, thermostat, water temperature gauge, 2 litre Petrol .. ..	65
	Housing, winch shaft, front capstan winch, 2 litre Petrol .. ..	79
	Housing, winch shaft, front capstan winch, 2½ litre Petrol and Diesel .. ..	85
	Hydraulic pump, bottom P.T.O. .. ..	115
	Hydraulic pump, hydraulic front winch, 88 and 109 .. ..	95
	Hydraulic pump, hydraulic winch, Forward Control .. ..	106
	Hydraulic steering damper .. ..	238
	Hydraulic winch, front, 88 and 109 .. ..	89
	Hydraulic winch, Forward Control .. ..	104
<b>I</b>	Immersion heater for block .. ..	236
	Inlet manifold, crankcase vent control .. ..	237
	Input shaft, rear P.T.O. .. ..	131
	Insulation, seat base, Forward Control .. ..	248
	Interior mirror, cab .. ..	163
	Interior mirror, hard top, 88 .. ..	205, 213
	Interior mirror, hard top, 109 .. ..	223
<b>J</b>	Jaw, towing .. ..	233
	Journal, propeller shaft, rear P.T.O. .. ..	129
<b>L</b>	Lamp, front flasher .. ..	155, 157
	Lamp, rear flasher .. ..	157, 159
	Lever, bell crank, hand throttle, 2 litre Petrol .. ..	71
	Lever, cranked, hand brake .. ..	240
	Lever, hand throttle, 2 litre Petrol .. ..	71
	Lever, hand throttle, 2½ litre Petrol .. ..	73
	Lever, relay, hand throttle, 2 litre Petrol .. ..	71
	Lever, transfer gear change, fresh air heater, Petrol, L.H.D. .. ..	149, 153
	Lifting and towing rings, front .. ..	235
	Lock, rear door, hard top .. ..	225
	Lock, rear lid, hard top, 88 .. ..	201, 209
	Lock, rear lid, hard top, 109 .. ..	219



	<i>Description</i>	<i>Page</i>
	Rear lid, hard top, 88 .. .. .	201, 209
	Rear lid, hard top, 109 .. .. .	.. 219
	Rear lid window, hard top, 88 .. .. .	201, 211
	Rear lid window, hard top, 109 .. .. .	.. 219
	Rear mounting bracket, hydraulic front winch, 88 and 109 .. .. .	93
	Rear mudflap kit .. .. .	240
	Rear panel, cab .. .. .	161
	Rear seats, 88 and 109 .. .. .	229
	Rear seats, Forward Control .. .. .	230
	Rear window, hard top, 109 .. .. .	217
	Rear window, hard top, 88 .. .. .	199, 209
	Rear wing, Forward Control .. .. .	170, 173, 174
	Regulator box, voltage, AC/DC generator, 12 volt .. .. .	21, 31, 40
	Relay, electrical, AC/DC generator, 12 volt .. .. .	21, 23, 31, 39, 40
	Relay lever, hand throttle, 2 litre Petrol .. .. .	71
	Relay shaft, accelerator, hand throttle, 2½ litre Petrol .. .. .	73
	Repair kits .. .. .	252, 253
	Road spring, front, capstan winch, 2 litre Petrol .. .. .	81
	Road springs, heavy duty .. .. .	239
	Road spring, hydraulic front winch, 88 and 109 .. .. .	103
	Rollers, front, hydraulic winch, Forward Control .. .. .	108
	Roof, cab .. .. .	161
	Roof, hard top, 88 .. .. .	199, 207
	Roof, hard top, 109 .. .. .	215
	Roof lamp, cab .. .. .	165
	Roof luggage rack .. .. .	251
	Roof, tropical, cab .. .. .	163
	Roof, tropical, hard top, 88 .. .. .	205, 213
	Roof, tropical, hard top, 109 .. .. .	223
	Rope guide bracket, front capstan winch, 2 litre Petrol .. .. .	81
	Rope guide bracket, front capstan winch, 2½ litre Petrol and Diesel .. .. .	87
	Rubber grommet for propeller shaft .. .. .	237
	Rubber pad, brake and clutch pedals .. .. .	240
	Rubber tube, brake bleeding .. .. .	237
<b>S</b>	Safety harness .. .. .	250
	Sealing rubber, cab .. .. .	161
	Sealing rubbers, hard top, 88 .. .. .	199, 201, 207, 209
	Sealing rubbers, hard top, 109 .. .. .	215, 217, 219
	Sealing rubbers, rear body dropsides, Forward Control .. .. .	168
	Sealing rubbers, rear body fixed sides, Forward Control .. .. .	171
	Sealing rubbers, rear body, flat platform, Forward Control .. .. .	174
	Seats, rear, 88 and 109 .. .. .	229
	Seats, rear, Forward Control .. .. .	230
	Seat base insulation, Forward Control .. .. .	248
	Selector, P.T.O., rear and centre .. .. .	125, 127
	Selector fork, bottom P.T.O. .. .. .	115, 119
	Selector fork, hydraulic front winch, 88 and 109 .. .. .	95
	Selector fork, P.T.O., rear and centre .. .. .	125, 127
	Selector lever for clutch, hydraulic front winch, 88 and 109 .. .. .	91
	Selector shaft, bottom, P.T.O. .. .. .	115, 119
	Selector shaft, hydraulic front winch, 88 and 109 .. .. .	95
	Selector shaft, P.T.O., rear and centre .. .. .	125, 127
	Selector unit, hydraulic front winch, 88 and 109 .. .. .	95
	Selector unit, P.T.O., centre, Forward Control .. .. .	136
	Servo conversion, brake, 109, 2½ litre Petrol .. .. .	237
	Shaft, input, rear, P.T.O. .. .. .	131
	Shaft, output, rear, P.T.O. .. .. .	131
	Shaft, propeller rear, P.T.O. .. .. .	129
	Shaft, P.T.O., gearbox drive, rear and centre .. .. .	125
	Shock absorber, heavy duty .. .. .	239
	Side armrest trim .. .. .	167
	Sidelight, hood, 88 .. .. .	177, 183
	Sidelight, hood, 109 .. .. .	189, 193
	Side panel, hard top, 88 .. .. .	199, 207
	Side panel, hard top, 109 .. .. .	215
	Side window, hard top, 88 .. .. .	199, 207
	Side window, hard top, 109 .. .. .	217
	Silencer, exhaust, hydraulic winch, Forward Control .. .. .	107
	Silencer, exhaust, hydraulic front winch, 109 Station Wagon .. .. .	101
	Skid chains .. .. .	239
	Spare wheel support .. .. .	246, 247
	Spare wheel support, rear door, hard top .. .. .	225
	Speedometer, with trip .. .. .	244
	Starter unit, carburetter, anti-icing .. .. .	236
	Starting dog, front capstan winch, 2 litre Petrol .. .. .	77
	Starting dog, front capstan winch, 2½ litre Petrol and Diesel .. .. .	83
	Starting handle, front capstan winch, 2 litre Petrol .. .. .	81
	Starting handle, front capstan winch, 2½ litre Petrol and Diesel .. .. .	87

	<i>Description</i>	<i>Page</i>
	Stay, rear lid, hard top, 88 .. .. .	203, 211
	Stay, rear lid, hard top, 109 .. .. .	.. 221
	Steering damper, hydraulic .. .. .	238
	Step, folding, side doors .. .. .	249
	Step, folding, at tailboard, Forward Control .. .. .	248
	Striking plate, rear door, hard top .. .. .	227
	Stud, mounting, cab .. .. .	161
	Stud, mounting, hard top, 88 .. .. .	203, 213
	Stud, mounting, hard top, 109 .. .. .	221
	Sump, crankcase, oil cooler, 2 litre Petrol .. .. .	49
	Sump, crankcase, oil cooler, 2½ litre Petrol .. .. .	61
	Sump, crankcase, oil cooler, Diesel .. .. .	53
	Sun visor .. .. .	250
	Support, air cleaner, AC/DC generator, 12 volt .. .. .	35
	Support plate, front capstan winch, 2 litre Petrol .. .. .	77
	Support plate, front capstan winch, 2½ litre Petrol and Diesel .. .. .	85
	Support, spare wheel, rear door, hard top .. .. .	225
	Suppressor, radio interference .. .. .	245, 246
	Switch, flasher .. .. .	155
	Switch, vehicle heater, fresh air, Petrol, L.H.D. .. .. .	147, 149
	Switch, vehicle heater, front .. .. .	139, 141
	Switch, vehicle heater, rear, 2½ litre Petrol .. .. .	145
	Swivel pin conversion .. .. .	238
<b>T</b>	Tailboard, Forward Control .. .. .	169, 172
	Tail pipe, exhaust, hydraulic winch, Forward Control .. .. .	107
	Tank, oil, hydraulic front winch, 88 and 109 .. .. .	97
	Tank, oil, hydraulic winch, Forward Control .. .. .	106
	Thermometer pocket, oil cooler, 2 litre Petrol .. .. .	47
	Thermometer pocket, oil cooler, 2½ litre Petrol .. .. .	59, 61
	Thermometer pocket, oil cooler, Diesel .. .. .	53
	Thermostat .. .. .	236
	Thermostat housing, vehicle heater, front, 2 litre Petrol .. .. .	139
	Thermostat housing, water temperature gauge, 2 litre Petrol .. .. .	65
	Thermostat housing, vehicle heater, fresh air, 2 litre Petrol, L.H.D. .. .. .	149
	Throttle, hand, 2 litre Petrol .. .. .	71
	Throttle, hand, 2½ litre Petrol .. .. .	73
	Tie rod, AC/DC generator, 12 volt .. .. .	29
	Tie rod, eight-blade fan, 2 litre Diesel .. .. .	45
	Tie rod, eight-blade fan, 2½ litre Petrol .. .. .	43
	Tie rod, engine governor, 2½ litre Petrol .. .. .	15
	Tie rod, oil cooler, 2½ litre Petrol .. .. .	63
	Tie rod, oil cooler, Diesel .. .. .	53
	Towing bar .. .. .	233
	Towing bracket .. .. .	233
	Towing hook .. .. .	235
	Towing jaw .. .. .	233
	Towing and lifting rings, front .. .. .	235
	Towing plate .. .. .	235
	Trailer plug and socket .. .. .	239
	Transfer gear change lever, fresh air heater, Petrol, L.H.D. .. .. .	149, 153
	Transmitter, oil pressure, Forward Control .. .. .	68
	Transmitter, water temperature, Forward Control .. .. .	68
	Tread plate, tailboard .. .. .	169, 172
	Tread plate, tailboard, Forward Control .. .. .	169, 172
	Trim, door and floor .. .. .	167
	Trim, upper, cab .. .. .	165
	Tropical roof, cab .. .. .	163
	Tropical roof, hard top, 88 .. .. .	205, 213
	Tropical roof, hard top, 109 .. .. .	223
	Tube, demister, vehicle heater, fresh air, Petrol, L.H.D. .. .. .	147, 151
	Tube, demister, vehicle heater, front, 2 litre Petrol .. .. .	139
	Tube, demister, vehicle heater, front, 2½ litre Petrol and Diesel .. .. .	143
	Tube, rubber, brake bleeding .. .. .	237
<b>U</b>	Undershield assembly .. .. .	240
	Universal joint cover plate .. .. .	65
<b>V</b>	Vent control, crankcase .. .. .	237
	Vibration damper, AC/DC generator, 12 volt, Diesel .. .. .	29
	Vibration damper, eight-blade fan, 2 litre Diesel .. .. .	45
	Vibration damper, oil cooler, Diesel .. .. .	53
	Voltage regulator box, AC/DC generator, 12 volt .. .. .	21, 31, 40



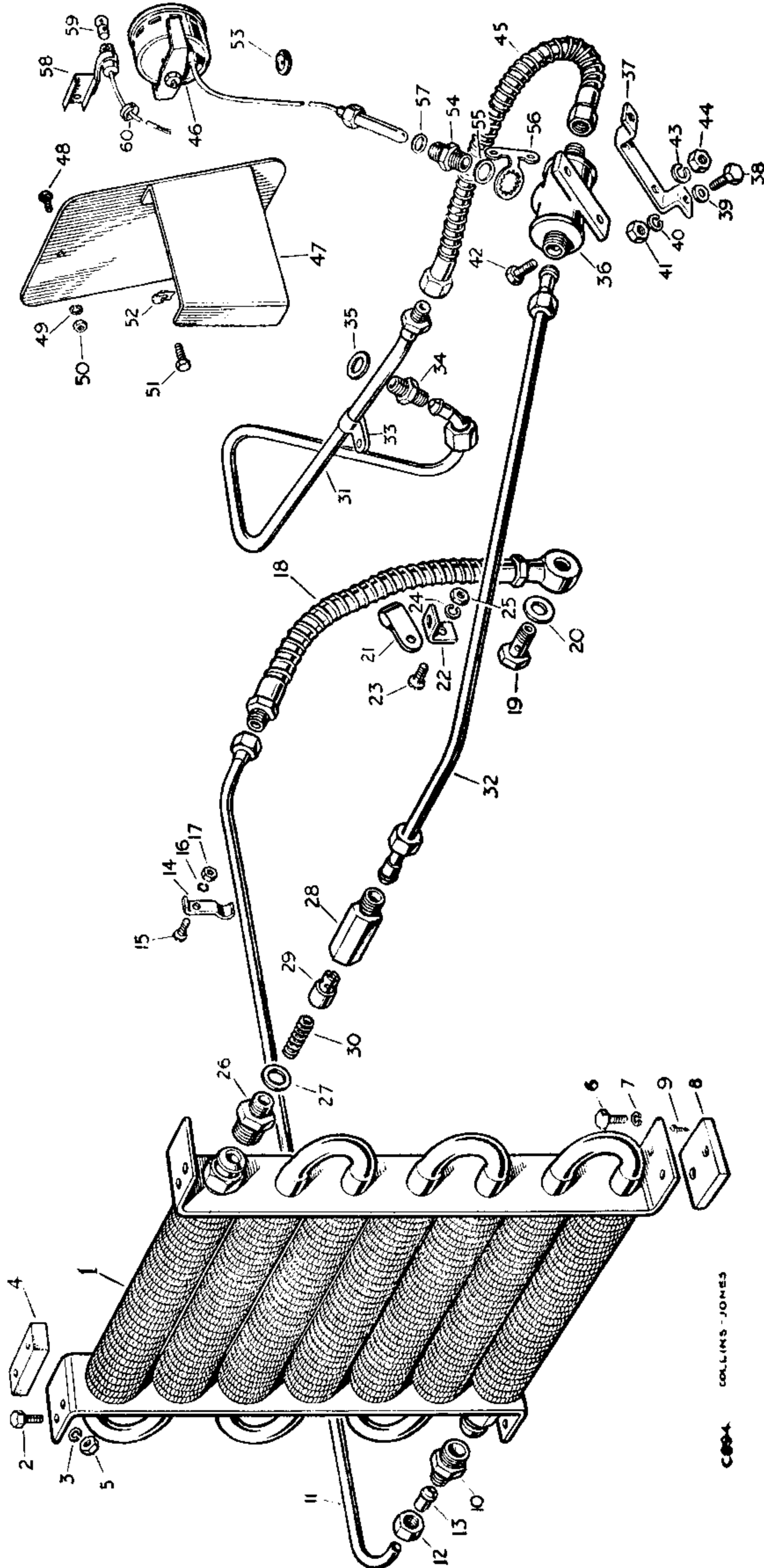
	<i>Description</i>	<i>Page</i>		<i>Description</i>	<i>Page</i>
<b>W</b>	Waist moulding, front door .. .. .	250		Window, rear, hard top, 88 .. .. .	199, 209
	Warning light for flasher .. .. .	155		Window, rear, hard top, 109 .. .. .	217
	Water temperature gauge, Forward Control .. .. .	68		Window, rear lid, hard top, 88 .. .. .	201, 211
	Water temperature and oil pressure gauge, 2 litre Petrol .. .. .	65		Window, rear lid, 109 .. .. .	219
	Water temperature and oil pressure gauge, 2½ litre Petrol and Diesel .. .. .	67		Window, side, hard top, 88 .. .. .	199, 207
	Wedge block, re boring, 2 litre Petrol .. .. .	236		Window, side, hard top, 109 .. .. .	217
	Wheel brace .. .. .	239		Windscreen washer kit .. .. .	245
	Winch, capstan, front, 2 litre Petrol .. .. .	77		Windscreen wiper .. .. .	244
	Winch, capstan, front, 2½ litre Petrol and Diesel .. .. .	83		Wing mirror .. .. .	247
	Winch, hydraulic, front, 88 and 109 .. .. .	89		Wing, rear, Forward Control .. .. .	170, 173, 174
	Winch, hydraulic, Forward Control .. .. .	104		Worm wheel, front capstan winch, 2 litre Petrol .. .. .	77
	Window, rear door, hard top .. .. .	225		Worm wheel, front capstan winch, 2½ litre Petrol and Diesel .. .. .	83
	Winch shaft housing, front capstan winch, 2 litre Petrol .. .. .	79		Worm wheel, hydraulic front winch, 88 and 109 .. .. .	89
	Winch shaft housing, front capstan winch, 2½ litre Petrol and Diesel .. .. .	85		Wrench, winch bollard screw .. .. .	251
	Window catches .. .. .	247, 248	<b>Y</b>	Yoke, AC/DC generator, 12 volt .. .. .	17
	Window conversion, rear end, hard top .. .. .	251			



**12 VOLT AC/DC GENERATOR AND PULLEYS Series IIA**  
**2¼ LITRE PETROL AND 2¼ LITRE DIESEL, (Except Forward Control)**

PLATE REF.	1	2	3	4	DESCRIPTION	Qty.	Part No.	REMARKS
	1				Generator complete, 12 volt, LU 2 AC 23500B	1	507147	
	2				Special bolt, fixing bracket, LU 244130	3	516475	
	3				Generator bracket complete, LU 54212929	1	516476	
	4				Brush box, set, for generator, LU 54211975	1	516477	
	5				Brushes for generator, set, LU 244018	1	516478	
	6				Spring set for brushes, LU 54210582	1	516479	
	7				Shield for terminal, LU 54210037	1	516480	
	8				Condenser for generator, LU 425823	1	516481	
	9				Diode, black hexagon base, LU 49074	3	516482	
	10				Diode, red hexagon base, LU 49073	3	516483	
	11				Stator complete for generator, LU 54210221	1	516484	
	12				Bracket, drive end, LU 54211974	1	516485	
	13				Bearing, drive end, LU 189275	1	516486	
	14				Special nut for shaft, LU 180620	1	516487	
	15				Rotor and slip ring complete, LU 54210448	1	516488	
	16				Bearing, slip ring end, LU 189212	1	516489	
	17				Lock washer for bearing screw, LU 187502	1	539540	
					Sundry parts, set, LU 54211976	1	516490	
	18				Fan for generator	1	532538	
	19				Pulley for generator	1	524836	
	20				Mounting bracket for generator, overall height 3 $\frac{5}{8}$ "	1	532368	} Alternatives. } Check before ordering
					Mounting bracket for generator, overall height 2 $\frac{1}{8}$ "	1	536550	
	21				Set bolt ( $\frac{5}{16}$ " U.N.C. x $\frac{7}{8}$ " long)	} Fixing mounting bracket to front cover	4	253027
	22			Plain washer	4		2550	
	23			Spring washer	4		3075	
	24				Bolt ( $\frac{5}{16}$ " U.N.F. x 1 $\frac{3}{8}$ " long)	} Fixing generator to mounting bracket	2	255231
	25			Plain washer	2		2550	
	26			Self-locking nut ( $\frac{5}{16}$ " U.N.F.)	2		252161	
	27				Adjusting link for generator, overall length 5 $\frac{3}{8}$ "	} Alternatives. } Check before ordering	1	532550
					Adjusting link for generator, overall length 6"		1	536551
	28				Bolt ( $\frac{5}{16}$ " U.N.F. x 1 $\frac{3}{8}$ " long)	} Fixing adjusting link to mounting bracket	1	256221
	29			Distance piece	1		530624	
	30			Plain washer	1		2550	
	31			Spring washer	1		3075	
	32			Nut ( $\frac{5}{16}$ " U.N.F.)	1		254811	
	33			Set bolt ( $\frac{5}{16}$ " U.N.C. x 1" long)	1		253028	
	34				Plain washer	} adjusting link to generator	1	3522
	35			Spring washer	1		3075	
	36				Anchor bracket	1	278000	
	37				Bracket for idler body	1	531724	Part of idler pulley assembly
	38				Bolt ( $\frac{5}{16}$ " U.N.F. x 1" long)	} Pivot for idler pulley bracket	1	255228
	39			Bolt ( $\frac{5}{16}$ " U.N.F. x 3 $\frac{1}{2}$ " long)	1		256232	
	40			Self-locking nut ( $\frac{5}{16}$ " U.N.F.)	2		252161	
	41				Set bolt ( $\frac{5}{16}$ " U.N.F. x $\frac{3}{4}$ " long)	} Fixing bracket to idler body	4	255226
	42			Plain washer	4		3830	
	43			Spring washer	4		3075	
					IDLER PULLEY ASSEMBLY	1	532065*	
	44				Idler wheel body	1	529217	
	45				Spindle for idler wheel	1	532063	
	46				Circlip for spindle	1	519241	
	47				Ball bearing, outer, for spindle	1	529221	

# OIL COOLER, 2 LITRE PETROL

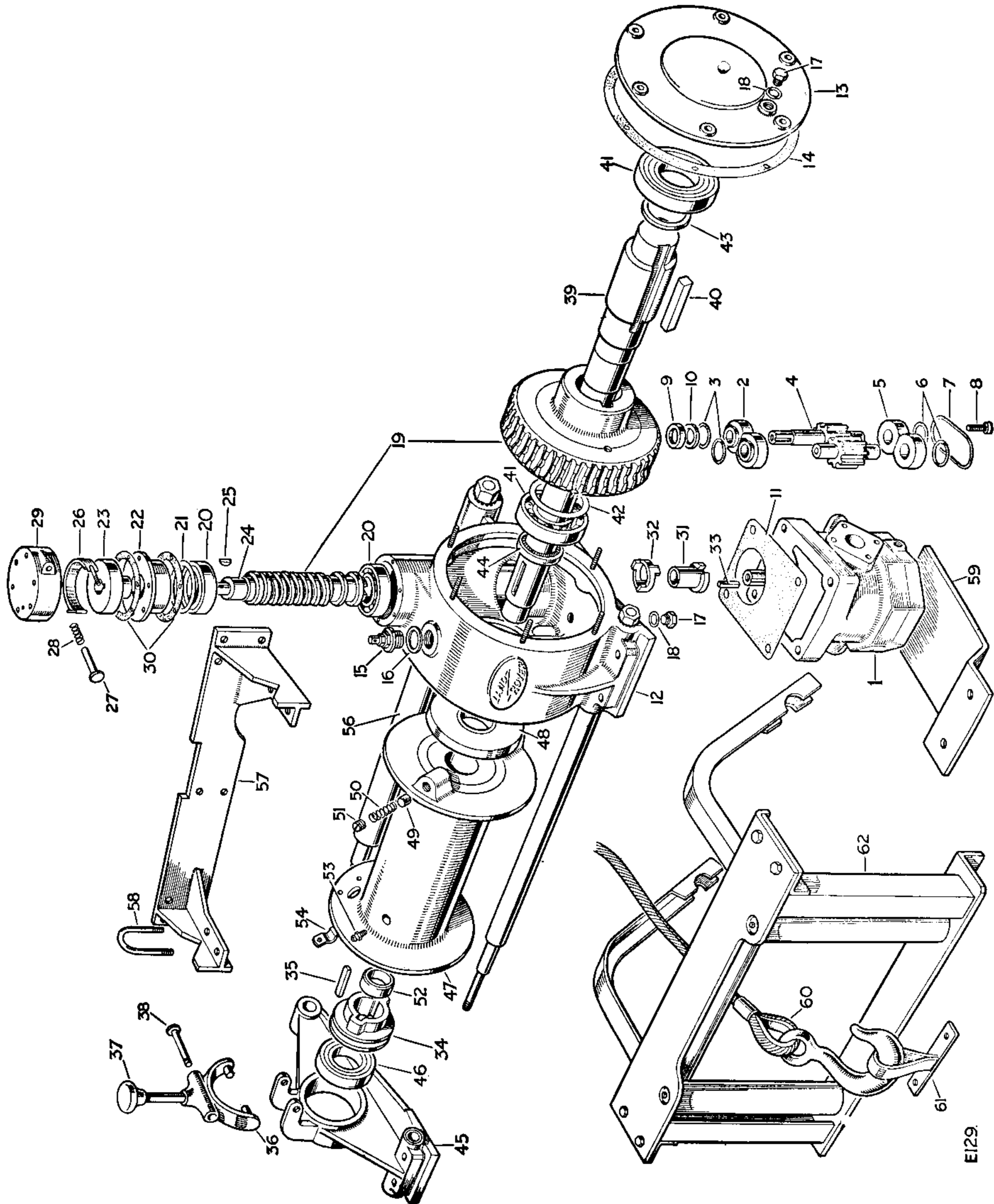


COLLINS - JONES  
C694

## OIL COOLER, 2 LITRE PETROL

PLATE REF	1 2 3 4	DESCRIPTION	Qty.	Part No.	REMARKS
		OIL COOLER COMPLETE ASSEMBLY	1	504080	
1		Oil cooler complete	1	232212	
2		Bolt ( $\frac{1}{4}$ " U.N.F. x $1\frac{3}{8}$ " long)	4	256202	
3		Spring washer	4	3074	
4		Spacer	2	278766	
		Shim	6	504299	
5		Nut ( $\frac{1}{4}$ " U.N.F.)	4	254810	
6		Set bolt ( $\frac{1}{4}$ " U.N.F. x $\frac{1}{2}$ " long)	4	255204	
7		Spring washer	4	3074	
8		Tapping plate for oil cooler	2	543335	
9		Drive screw fixing plate to frame	4	78436	
10		Union for oil return pipe	1	232141	
11		Oil return pipe complete	1	269178	
12		Union nut	2	2338	
13		Nipple	2	2337	
14		Clip for oil return pipe	1	216708	
15		Screw (2 B.A. x $\frac{1}{2}$ " long)	1	71164	
16		Spring washer	1	3073	
17		Nut (2 B.A.)	1	2247	
		Bolt ( $\frac{1}{4}$ " U.N.F. x $\frac{5}{8}$ " long)	1	255206	
		Spring washer	1	3074	
		Nut ( $\frac{1}{4}$ " U.N.F.)	1	254810	
18		Flexible oil pipe, return to sump	1	232180	
19		Banjo centre	1	232349	
20		Joint washer	2	232042	
21		Clip for flexible pipe	1	50690	
22		Bracket for clip	1	232351	
23		Screw (2 B.A. x $\frac{1}{2}$ " long)	1	71164	
24		Spring washer	1	3073	
25		Nut (2 B.A.)	1	2247	
		OIL RELIEF VALVE ASSEMBLY	1	232145	
26		Oil union	1	232141	
27		Joint washer for union	1	231577	
28		Body	1	232143	
29		Plunger	1	232144	
30		Spring for plunger	1	232142	
31		Oil pipe, union to flexible pipe	1	264527	
32		Oil pipe to relief valve	1	502523	
33		Clip for pipe, union to flexible pipe	1	264528	
34		Union for oil pipe	1	264529	
35		Joint washer for union	1	231577	
36		Thermometer pocket complete	1	232339	
42		Bolt (2 B.A. x $\frac{5}{8}$ " long)	2	250960	
43		Spring washer	2	3073	
44		Nut (2 B.A.)	2	2247	
45		Flexible oil pipe, pump to pocket	1	232181	
46		Oil temperature gauge and panel light	1	600896*	With internal illumination
47		Mounting bracket for gauge	1	503147	

# HYDRAULIC FRONT WINCH (Except Forward Control)

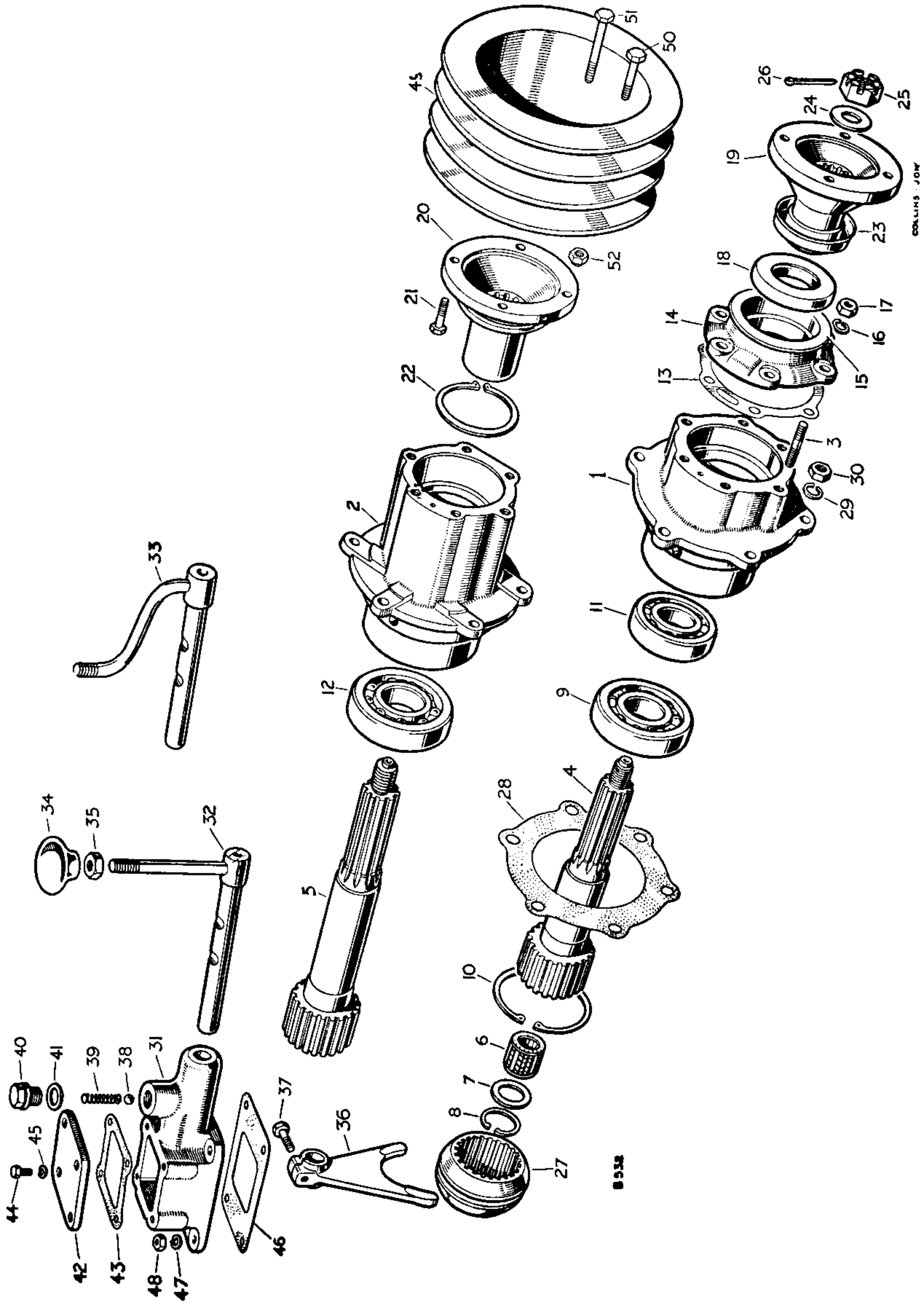


E129.

## HYDRAULIC FRONT WINCH (Except Forward Control)

PLATE REF.	1 2 3 4	DESCRIPTION	Qty.	Part No.	REMARKS
		HYDRAULIC FRONT WINCH, COMPLETE			
		ASSEMBLY .....	1	524135 88	
		HYDRAULIC FRONT WINCH COMPLETE			
		ASSEMBLY .....	1	524136 109	
		HYDRAULIC WINCH ASSEMBLY	1	580001	
1		Motor unit, complete, for winch .....	1	580038	
2		Bush 'B' for gear shafts .....	1	515510	
3		'O' ring for 'B' bushes .....	2	515511	
4		Gears and shafts .....	1	515512	
5		Bush 'A' for gear shafts .....	1	515513	
6		Sealing ring for 'A' bushes .....	2	515514	
7		'O' ring for housing .....	1	515515	
8		Special screw fixing body cover and body	8	515516	
9		Oil seal for shaft .....	1	515517	
10		Baffle for oil seal .....	1	515518	
11		Joint washer for motor unit .....	1	580007	
		Plain washer } Fixing motor	4	2765	
		Spring washer } unit to winch	4	3076	
		Nut ( $\frac{3}{8}$ " U.N.F.) } gearbox	4	254812	
12		Gearbox casing for winch .....	1	515549	
13		End plate for gearbox casing .....	1	542434	
14		Joint washer for gearbox casing .....	1	580004	
		Plain washer } Fixing end	6	2250	
		Spring washer } cover to	6	3075	
		Nut ( $\frac{5}{16}$ " U.N.F.) } gearbox casing	6	254811	
15		Oil filler plug .....	1	580133	} When $\frac{1}{4}$ " B.S.P. oil level plug is fitted to end plate
16		Joint washer for oil filler plug .....	1	06009	
		Breather for axle casing .....	1	515845	} When $\frac{3}{8}$ " B.S.P. oil level/filler plug is fitted to end plate
		Joint washer for breather .....	1	231575	
17		Oil level and drain plug .....	2	515133	} $\frac{1}{4}$ " B.S.P. early type Alternative to $\frac{3}{8}$ " B.S.P. $\frac{3}{8}$ " B.S.P. late type Part of 542434
18		Joint washer for plug .....	2	2347	
		Oil level and filler plug .....	1	233441	
		Joint washer for plug .....	1	6533	
19		Wormwheel, wormshaft and distance pieces	1	515550	} Early. Brake drum type Late. Non-brake drum type
		Wormwheel, wormshaft and distance pieces	1	600669*	
20		Bearing for wormshaft .....	2	580035	
		Shim for wormshaft .002" .....	As required	580139	
21		Shim for wormshaft .005" .....	As required	580138	
		Shim for wormshaft .010" .....	As required	580137	
		Oil seal for wormshaft .....	1	537852	
22		Retaining cap for bearing .....	1	580042	} Early. Brake drum type Late. Non-brake drum type
		Retaining cap for bearing .....	1	544415*	
23		Brake drum for wormwheel shaft	1	580041	} Early. Brake drum type Check before ordering
24		Distance piece } For	1	580067	
25		Key } brake drum	1	580048	
26		Brake band .....	1	580044	
27		Plunger for brake band .....	1	580047	
28		Spring for plunger .....	1	509536	
29		Cover for brake drum .....	1	580043	

# REAR AND CENTRE POWER TAKE-OFF GEARBOX UNITS (Except Forward Control)





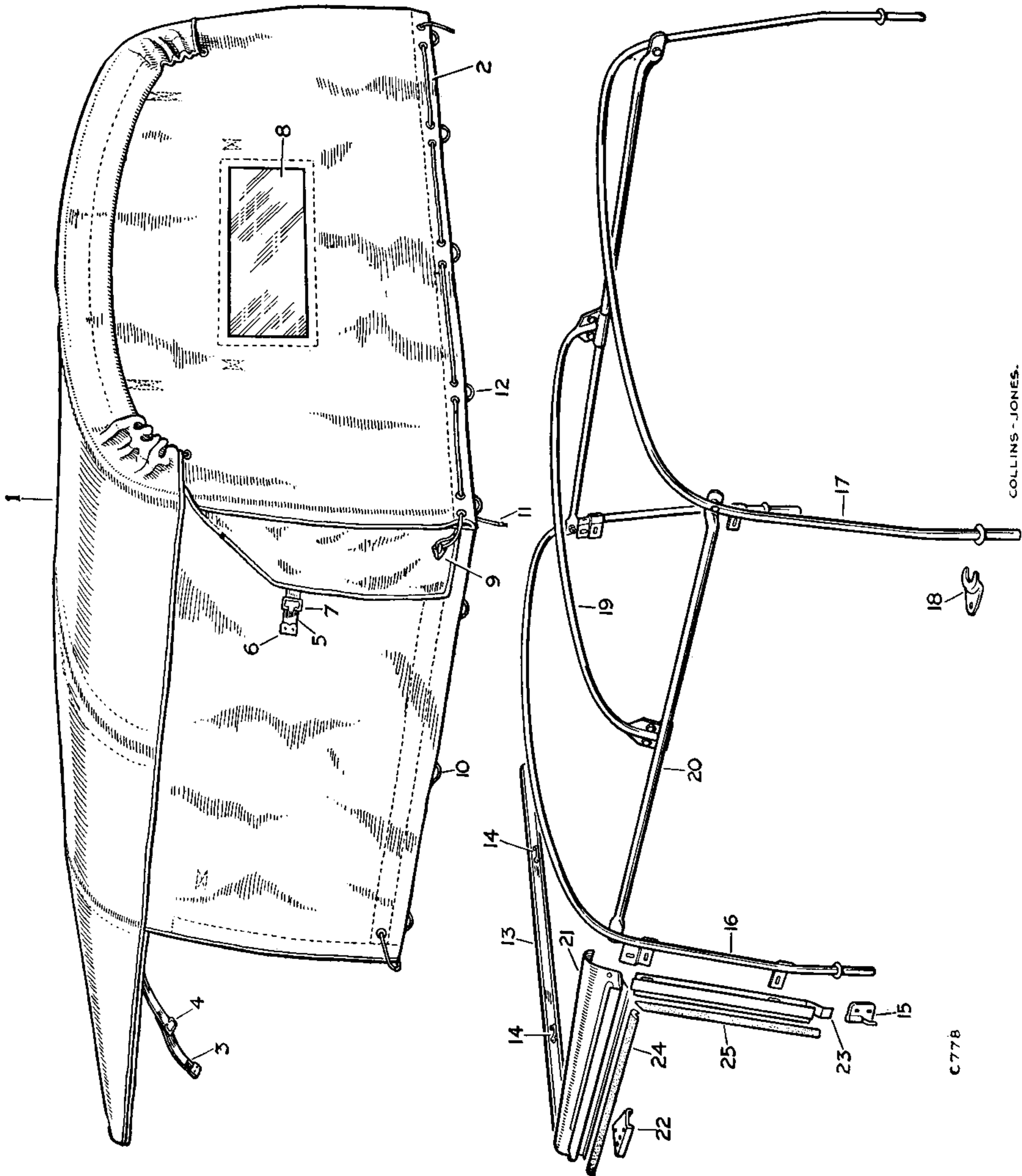
## REAR AND CENTRE POWER TAKE-OFF GEARBOX UNITS (Except Forward Control)

PLATE REF.	1	2	3	4	DESCRIPTION	Qty.	Part No.	REMARKS	
					P.T.O. SELECTOR ASSEMBLY	1	509076	} With selector knob in front of seat	
					Housing for P.T.O. selector	1	217773		
					Selector shaft for P.T.O.	1	506203		
					Fork for selector shaft	1	217584		
					Set bolt ( $\frac{5}{16}$ " B.S.F. x 1" long) fixing fork to shaft	1	237160		
					Steel ball } For selector	1	1643		
					Spring } shaft	1	56102		
					Plug for spring	1	217763		
					Joint washer for plug	1	213960		
					Cover plate for housing	1	528235		
					Joint washer for plate	1	219995		
					Set bolt ( $\frac{1}{4}$ " Whit. x $\frac{3}{4}$ " long)	4	215594		} Alternatives. } Check before ordering
					Set bolt ( $\frac{1}{4}$ " Whit. x $\frac{1}{2}$ " long)	4	215758		
					Spring washer } Fixing cover plate	4	3074		
					Pivot piece	1	506205		
					Locknut ( $\frac{3}{8}$ " B.S.F.) for pivot piece	1	2323		
					Stud for P.T.O. housing and pivot piece	1	506204		
					Lever for selector shaft	1	506206		
					Clevis pin and spring complete } Fixing lever to	2	216421		
					Split pin } pivot piece	2	2423		
							and shaft		
					Rod for lever	1	506207		
					Grommet for rod	1	508571		
					Knob for rod	1	218050		
					Locknut ( $\frac{7}{16}$ " B.S.F.) for knob	1	3764		
					Clevis pin and spring complete } Fixing lever	1	230279		
					Split pin } to rod	1	2422		
46					Joint washer for housing	1	217771		
47					Spring washer } Fixing housing to	4	3075		
48					Nut ( $\frac{5}{16}$ " B.S.F.) } transfer box	4	2828		
49					Pulley for centre power take-off	1	231636		
50					Bolt ( $\frac{3}{8}$ " B.S.F. x $1\frac{3}{8}$ " long)	4	237343	} When centre P.T.O. pulley only is fitted } When rear P.T.O. is also fitted	
51					Bolt ( $\frac{3}{8}$ " B.S.F. x $1\frac{1}{8}$ " long)	4	237344		
52					Self-locking nut ( $\frac{3}{8}$ " B.S.F.)	4	251322		
					Cover for P.T.O. knob	1	301957	} With selector knob under centre seat	
					Spring clip for cover	1	301139		
					Plain washer } Fixing spring clip	1	2869		
					Rivet } to centre panel	1	300783		

When centre power take-off is fitted, Part Nos. 230855 Gearbox power take-off drive assembly and 230693 Power take-off selector assembly are required; the pulley and bolts are normally supplied by the makers of any special equipment fitted.

When Part Nos. 230855 Gearbox power take-off drive assembly and 230693, 231853 or 509076 Power take-off selector assembly are fitted, the following parts, listed in the main parts catalogue, are not required: 230696 Mainshaft bearing housing complete: 217970 Cover plate.

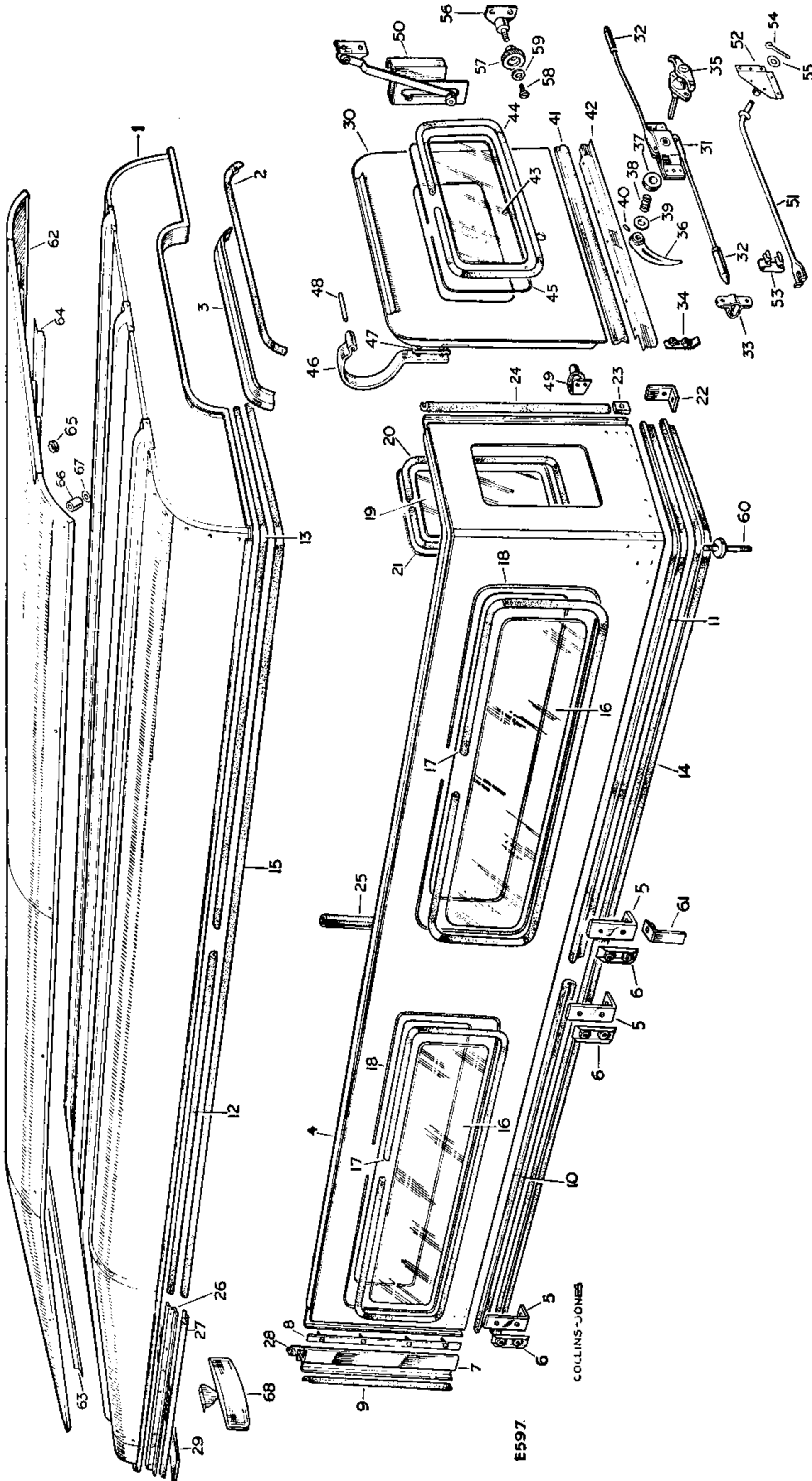
# FULL LENGTH HOOD AND FITTINGS, 88



## FULL LENGTH HOOD AND FITTINGS, 88

PLATE REF.	1	2	3	4	DESCRIPTION	Qty.	Part No.	REMARKS
					HOODSTICKS AND FIXINGS COMPLETE	1	330999	
13					Top rail for hood attachment	1	330575	
					Bolt ( $\frac{1}{4}$ " U.N.F. x $\frac{3}{4}$ " long)	4	255207	} Fixing top rail to adjustment plate
					Plain washer	8	3900	
					Self-locking nut ( $\frac{1}{4}$ " U.N.F.)	4	252220	} and windscreen
					Rivet	11	300789	
					Pop rivet, long	7	78248	} Fixing top rail to windscreen
					Pop rivet, short	6	300919	
14					Staple for hood strap	2	300924	
					Pop rivet fixing staple to top rail	4	78248	
					Buffer for top of windscreen	1	332550	
					Pop rivet fixing buffer	4	78410	
					Front hook R.H.	1	330578	} For hood rope
15					Front hook L.H.	1	330579	
					Screw (2 B.A. x $\frac{5}{8}$ " long)	4	77758	} Fixing hook to rear body
					Plain washer	4	3902	
					Spring washer	4	3073	
					Nut (2 B.A.)	4	3823	
					Staple for hood strap at tailboard corner	2	300924	
					Screw (2 B.A. x $\frac{3}{4}$ " long)	4	77758	} Fixing staple to rear body
					Spring washer	4	3073	
					Nut (2 B.A.)	4	2247	
16					Hood stick, front	1	330551	
17					Hood stick, rear	1	330553	
18					Clamp arm for hood stick	4	304301	
					Bolt ( $\frac{5}{16}$ " U.N.F. x 1" long)	4	255228	} Fixing clamp arm to hood socket
					Plain washer	4	3899	
					Spring washer	4	3075	
					Nut ( $\frac{5}{16}$ " U.N.F.)	4	254811	
19					Hood stick, intermediate	1	330557	
					Bolt ( $\frac{1}{4}$ " U.N.F. x $\frac{5}{8}$ " long)	4	255206	} Fixing inter- mediate hood stick to tie bar
					Plain washer	4	3900	
					Self-locking nut ( $\frac{1}{4}$ " U.N.F.)	4	252220	
20					Tie tube for hood stick	2	330559	
					Screw ( $\frac{1}{4}$ " U.N.F. x $1\frac{1}{8}$ " long)	4	78303	} Fixing tie tube to front and rear hood sticks
					Square nut ( $\frac{1}{4}$ " U.N.F.)	4	78205	
					Self-locking nut ( $\frac{1}{4}$ " U.N.F.)	4	252220	
					Top drain channel for door, R.H.	1	330567	
21					Top drain channel for door, L.H.	1	330568	
					Special bolt	2	78208	} Fixing drain channel to hood stick
					Plain washer	2	3900	
					Self-locking nut ( $\frac{1}{4}$ " U.N.F.)	2	252220	
					Adjustment plate, R.H.	1	330622	} For drain channel
22					Adjustment plate, L.H.	1	330623	
					Bolt ( $\frac{1}{4}$ " U.N.F. x $\frac{3}{4}$ " long)	4	255207	} Fixing adjustment plates to drain channels
					Plain washer	8	3900	
					Self-locking nut ( $\frac{1}{4}$ " U.N.F.)	4	252220	
					Sealing rubber, windscreen to top drain channel	2	332605	

# HARD TOP AND TROPICAL ROOF, 109 (Except Forward Control)



E597

## HARD TOP AND TROPICAL ROOF, 109 (Except Forward Control)

PLATE REF.	1 2 3 4	DESCRIPTION	Qty.	Part No.	REMARKS
		Set bolt ( $\frac{6}{16}$ " x $1\frac{1}{4}$ " long)	4	255230	
		Plain washer, small	4	3830	
		Rubber buffer, thin	4	338550*	
		Spring washer	4	3075	
		Plain washer, large	12	3898	
61		Nut plate	4	333837	
62		TROPICAL ROOF PANEL ASSEMBLY	1	332987	
63		Stiffener, front	3	332028	
64		Stiffener, rear	3	333252	
		Drive screw	33	77704	} Alternatives } Check before ordering
		Pop rivet	33	78248	
		Screw (2 B.A. x $\frac{1}{2}$ " long)	8	77869	
		Plain washer	16	3852	
65		Rubber washer	8	302371	
		Shakeproof washer	8	71082	
		Nut (2 B.A.)	8	3823	
		Screw ( $\frac{1}{4}$ " U.N.F. x 2" long)	16	78274	
		Plain washer	32	3900	
66		Distance piece	16	336503	
67		Rubber washer	16	302373	
		Spring washer	16	3074	
		Nut ( $\frac{1}{4}$ " U.N.F.)	16	254810	
		Drive screw	66	77704	
		Pop rivet	66	78248	
68		Interior mirror	1	334000	
		Drive screw, trimmed vehicles	2	77789	
		Bolt (2 B.A. x $\frac{1}{2}$ " long)	2	234603	
		Packing washer	2	3864	} Fixing } mirror
		Spring washer	2	3073	
		Nut (2 B.A.)	2	3823	
			2	3823	

Part No.	Page No.	Part No.	Page No.	Part No.	Page No.	Part No.	Page No.	Part No.	Page No.
307089	168	330562	181	331113	177	331673	185	332313	99
307199	177	330567	179	331150	165	331674	185	332317	248
307234	246	330568	179	331163	167	331675	185	332324	161
307235	246	330575	179	331166	167	331676	185	332325	161
307289	225	330578	179	331220	177	331702	167	332329	161
307838	141	330579	179	331221	177	331703	167	332341	199
307840	249			331222	177	331776	167	332385	203
308517	181	330600	246	331228	229	331780	167	332386	203
		330622	179	331229	229	331781	167	332391	203
310599	165	330623	179	331249	187	331807	167	332392	203
311200	49	330661	207	331259	187	331810	167	332398	203
311373	21	330699	189	331260	187	331811	167	332397	203
312027	249	330722	161	331264	193	331812	167	332402	250
312305	242	330750	163	331275	185	331813	167	332403	250
313493	201	330762	161	331276	185	331833	229	332432	225
313858	225	330767	163	331281	185	331835	229	332434	225
313860	247	330768	161	331307	193	331918	193	332435	247
314719	250	330769	161	331308	193	331975	195	332440	240
317199	250	330788	161	331314	229	331976	195	332445	169
		330789	161	331315	229	331977	195	332446	169
320009	139	330790	161	331316	183	331978	193	332459	185
320045	99	330791	161	331317	187	331982	167	332465	185
320046	201	330792	161	331318	195	331983	167		
320047	201	330793	161	331346	185	331992	167	332524	35
320084	229	330798	161	331347	185	331996	167	332531	147
320174	147	330799	161	331349	185	331997	167	332540	147
320175	147			331356	167			332545	147
320197	147	330830	189	331361	197	332000	199	332550	179
320198	147	330848	161	331362	185	332025	205	332551	147
320251	147	330850	227	331371	183	332028	205	332552	149
320273	147	330878	161	331372	183	332040	201	332553	149
320345	185	330894	163	331392	167	332041	201	332555	149
320502	145	330896	189	331393	167	332047	201	332556	149
320532	251	330897	195			332065	199	332557	149
320540	250			331400	167	332080	207	332558	139
320541	250	330908	185	331402	167	332081	199	332558	139
320548	250	330959	161	331403	167	332083	203	332563	227
320549	250	330961	161	331411	167	332084	203	332564	227
320550	250	330966	205	331415	167	332089	201	332565	227
320551	250	330969	229	331416	165	332097	201	332566	227
320552	250	330971	246	331425	165	332098	104	332581	107
320553	250	330972	246	331437	167	332112	199	332605	179
320554	250	330976	139	331438	167	332113	199	332606	177
320555	250	330978	177	331452	167	332121	201	332611	247
320566	197	330979	177	331456	167	332122	201	332614	247
320567	167	330980	187	331457	167	332143	201	332642	250
320568	167	330981	177	331458	167	332146	199	332660	250
320569	247	330982	177			332147	227	332661	250
320570	248	330983	177	331526	167	332149	199	332683	161
320573	248	330984	187	331527	167	332151	199	332700	246
320576	250	330985	187	331530	165	332152	201	332725	13
320580	141	330986	183	331549	165	332181	201	332732	225
320583	248	330987	183	331550	165	332182	203	332744	161
320586	230	330988	141	331553	165	332183	203	332745	161
320588	247	330990	181	331554	165	332200	209	332746	207
320590	240	330991	181	331556	165	332201	205	332751	161
320601	240	330992	251	331557	165	332215	201	332752	207
320607	165	330993	251	331560	165	332216	207	332792	250
320608	165	330994	251	331561	165	332217	207	332942	227
330117	227	330995	251	331564	165	332230	207	332943	227
330366	241	330997	193	331565	165	332280	209	332950	183
330419	168	330998	193	331567	165	332281	209	332951	189
330535	161	330999	179	331568	165	332282	209	332952	195
330541	161			331570	165	332283	209	332956	165
330551	179	331071	167	331571	165	332284	209	332958	167
330553	179	331086	177	331574	165	332293	203	332965	147
330557	179	331105	177	331576	165	332306	207	332969	247
330559	179	331106	177	331578	165	332307	207	332970	247
330561	181	331110	177	331579	165	332308	209	332971	246

Part No.	Page No.	Part No.	Page No.	Part No.	Page No.	Part No.	Page No.	Part No.	Page No.
332972	246	334635	143	337280	172	500515	155	504922	57
332973	151	334636	143	337290	168	500625	59	505145	155
332974	235	334707	199	337301	169	500669	239	505150	155
332978	215	334708	199	337308	170	500695	239	506203	95
332985	165	334713	199	337317	170	500837	155	506204	95
332986	167	334714	199	337344	170	500838	157	506205	95
332987	223	334719	215	337361	168	500880	141	506206	95
332995	250	334720	215	337362	168	500907	21	506207	95
332999	248	334725	215	337363	171			506210	11
		334726	215	337364	171	501019	43	506287	77
333031	225	334729	199	337374	169	501025	250	506863	11
333032	225	334731	215	337391	230	501081	151		
333033	225	334733	215	337401	230	501198	19	507147	17
333034	225	334873	248	337402	230	501224	93	507172	21
333035	225	334874	247	337403	230	501270	239	507300	17
333036	227			337404	230	501412	238	507308	17
333037	225	335438	170	337410	230	501451	77	507311	17
333041	227	335462	35	337561	230	501453	83	507312	17
333080	225	336045	168	337985	250	501679	155	507687	253
333140	227	336046	168			501680	123	507693	253
333252	223	336262	109	338007	172	501683	235	508033	239
333271	248	336412	169	338008	172	501684	155	508034	239
333272	247	336473	247	338306	35			508339	15
333325	215	336503	163	338312	37	502037	133	508369	35
333347	215	336636	241	338313	35	502039	133	508370	35
333348	215	336644	35	338314	35	502044	133	508390	233
333349	215	336649	143	338315	35	502096	155	508412	233
333350	215	336677	247	338317	37	502125	235	508493	23
333355	215	336678	248	338382	37	502333	252	508499	23
333356	215	336679	225	338530	43	502335	252	508571	95
333357	215	336690	35	338550	203	502501	239	508690	13
333358	215	336695	35	338552	199	502521	51	508691	13
333401	217	336764	207	338553	203	502523	47	508692	13
333402	217	336838	225	338554	199	502653	67	508863	238
333403	217			338636	37	502655	67	508947	249
333404	217	337004	168	338741	203	502830	244	508950	249
333405	217	337017	170	338788	199	502910	31	508952	249
333416	225	337051	174			503033	73	508953	249
333435	225	337053	169	339527	167	503041	43	508957	249
333439	227	337054	169	339670	170	503147	21	508958	249
333445	227	337055	169	339691	193	503148	68	508959	249
333446	225	337056	169	339695	248	503160	236	509013	243
333447	225	337058	170	339697	248	503189	113	509045	131
333458	246	337064	168	339699	248	503492	242	509076	95
333459	246	337065	168	339701	248	503754	252	509085	13
333467	201	337092	168	339706	248	503922	236	509120	249
333468	201	337103	170	339707	248	503979	250	509140	99
333486	161	337126	170	339708	248	503982	33	509141	99
333487	199	337127	170	339753	230	504048	155	509446	91
333490	217	337146	170	339763	230	504080	47	509476	240
333837	223	337148	174	339825	248	504246	79	509481	240
333983	217	337142	197	339935	177	504248	85	509482	240
		337154	197	339937	177	504250	85	509483	240
334000	163	337155	197	340390	161	504242	85	509510	240
334073	203	337156	197	340391	161	504253	85	509536	89
334074	99	337157	197	340704	165	504282	15	509751	131
334075	99	337158	197	348091	163	504283	15	509754	141
334111	165	337171	248	355847	167	504287	11	509944	35
334189	99	337197	230	357072	236	504299	47	509950	249
334190	207	337201	168	357081	236	504485	15		
334242	35	337202	169	500199	45	504605	15	510081	239
334245	185	337218	168	500227	155	504606	15	510119	141
334246	185	337254	169	500229	155	504607	15	510127	239
334282	35	337271	171	500388	19	504616	240	510170	23
334283	35	337272	171	500412	157	504619	11	510177	157
334525	247	337273	172	500413	157	504683	15	510178	155
334612	201	337275	172	500414	157	504697	244	510186	23
334613	201	337278	172	500427	53	504736	236	510267	242
334614	161	337279	172	500514	155	504766	51	510912	33

By Appointment to  
Her Majesty  
Queen Elizabeth II



Manufacturers  
of Motor Cars and  
Land-Rovers

By Appointment to  
Her Majesty  
Queen Elizabeth  
the Queen Mother



Suppliers of  
Motor Cars and  
Land-Rovers