

As approved by the Rover
Co. Ltd. for use with the

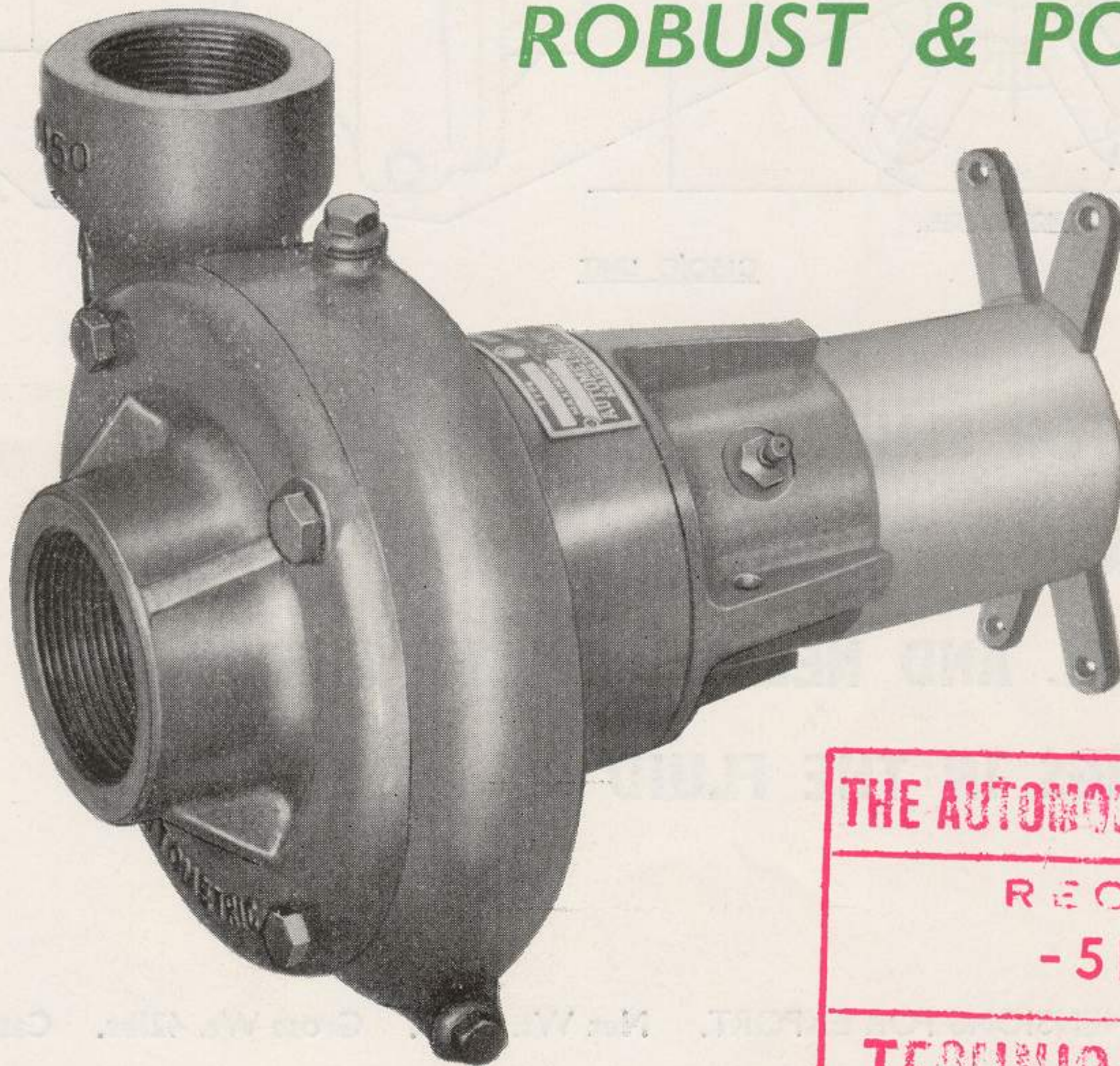
AUTOMETRIC

Single Stage Centrifugal Pump



- ★ DELIVERS 7000 GALLONS PER HOUR AT 10ft. HEAD
- ★ OUTPUTS UP TO 2700 GALLONS PER HOUR AT 40ft. HEAD
- ★ HEADS UP TO 50ft. AT 2500 R.P.M.
- ★ QUICK FITTING TO LAND ROVER P.T.O. SHAFT

ROBUST & PORTABLE



THE AUTOMOBILE ASSOCIATION

RECEIVED

- 5 DEC 1958

TECHNICAL LIBRARY

Manufactured by **AUTOMETRIC PUMPS LTD.**
WATERSIDE · MAIDSTONE · KENT · ENGLAND

Telephone : Maidstone 4728.

Cables & Grams : AUTOMETRIC Maidstone.

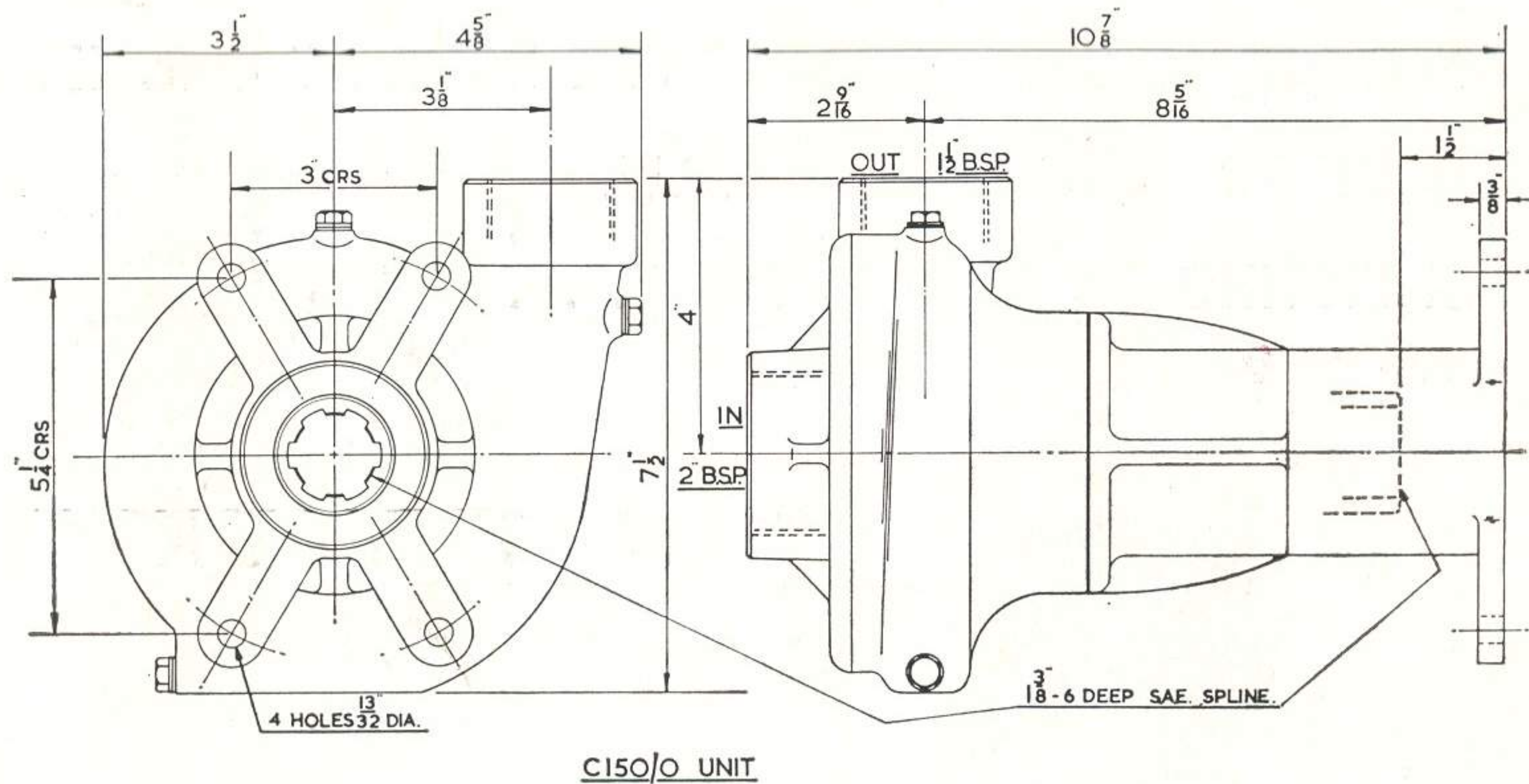
Codes : Bentley's Complete and Second Phrase.

SPECIFICATION & DETAILS OF THE C150/OA

AUTOMETRIC Centrifugal Pump with Single Shrouded Impeller

- ★ STORAGE PUMPING
- ★ LIQUIDS TRANSFER

- ★ LOW PRESSURE WASHDOWN
- ★ IRRIGATION



- ★ IMPELLER FOR SLUDGES AND SUSPENSIONS
- ★ MECHANICAL SHAFT SEAL
- ★ SEALED BALL AND NEEDLE ROLLER BEARINGS
- ★ NO BEARINGS IN THE FLUID

WEIGHTS & CASE DIMENSIONS FOR EXPORT. Net Wt. 27lbs. Gross Wt. 42lbs. Case Size 13" x 10" x 10"

LAND ROVER EXTRAS REQUIRED :-

REAR POWER TAKE-OFF
HAND THROTTLE FOR PETROL ENGINES