

# Cuthbertson Snowplough

As approved by the Rover  
Co. Ltd. for use with the

**LAND-  
ROVER**

## FARMERS! ESTATES! COUNCILS!

Fit the new Cuthbertson snowplough to your Land Rover for a really *high speed* snow clearance.

Made by Scotland's largest snowplough manufacturers the makers of the famous "Hi-lift" snowplough. This machine is backed by snow clearance experience second to none.

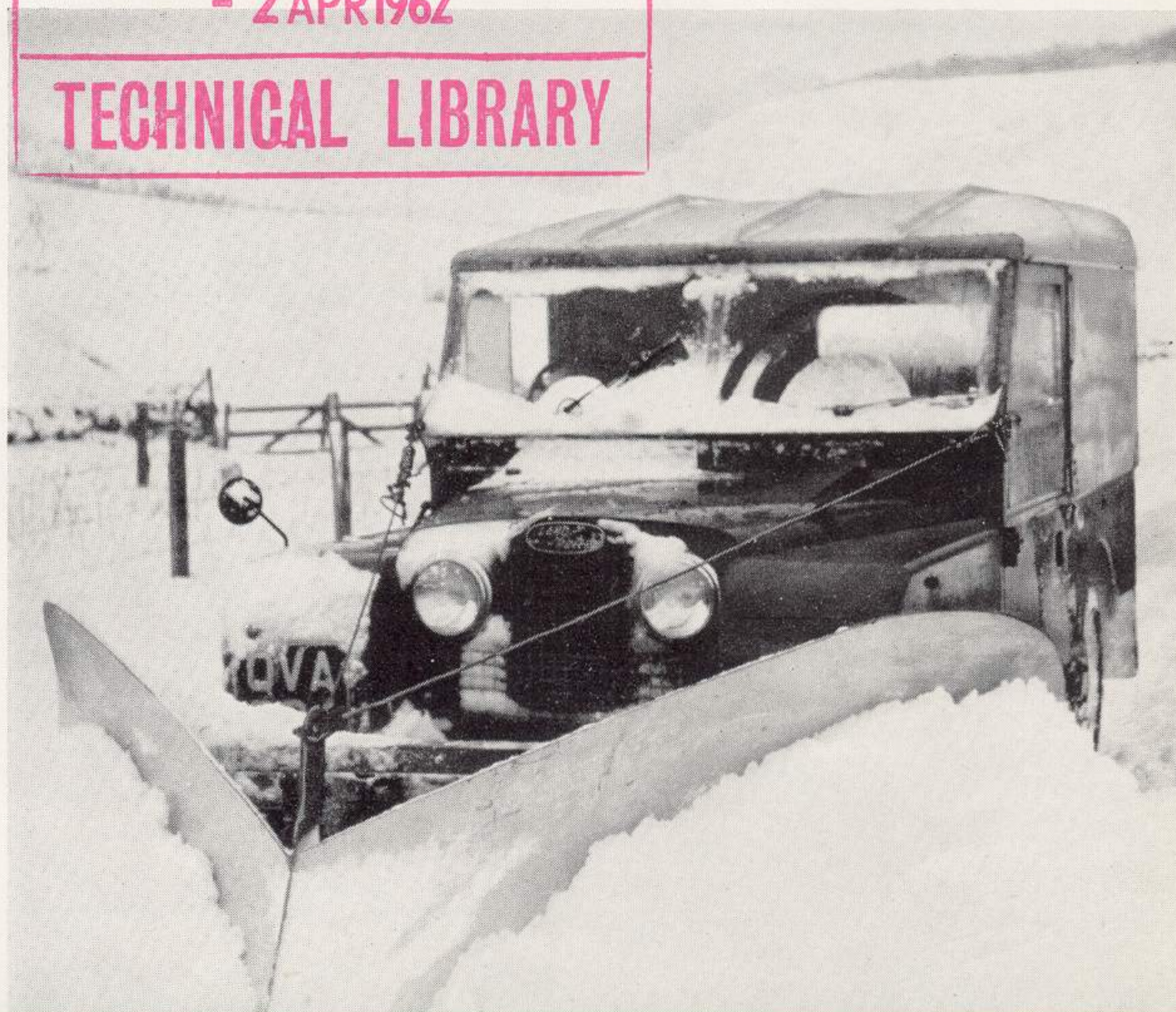
A specially designed "V" type blade ensures ploughing stability through drifted snow, at speed of 25 m.p.h., and throws the snow well clear of the roadway.

THE AUTOMOBILE ASSOCIATION

RECEIVED

- 2 APR 1962

TECHNICAL LIBRARY



## J. A. CUTHBERTSON LTD

BIGGAR SCOTLAND

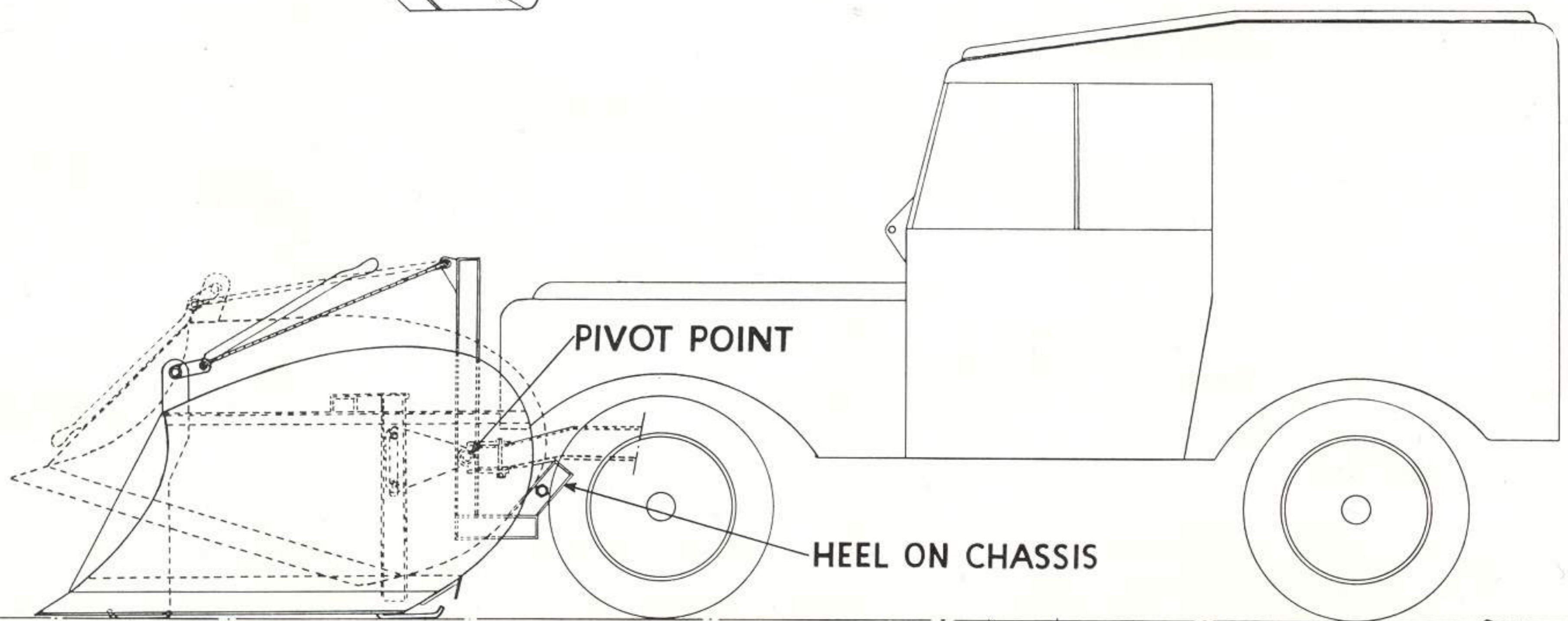
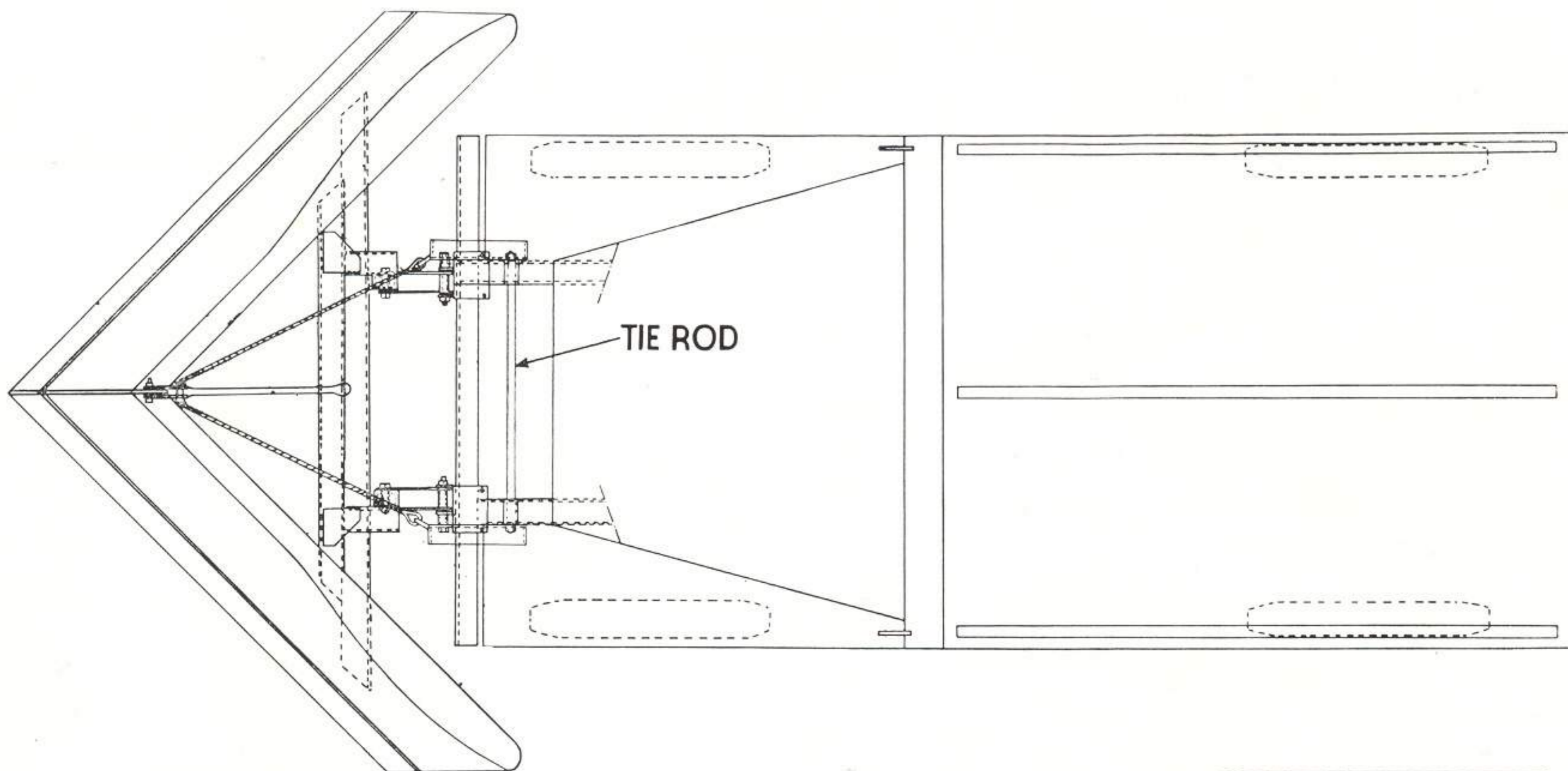
Telephone: BIGGAR 20    Telegrams: MECHADRAIN

# Specifications and Details

All steel welded construction for long life and heavy duty, with all parts renewable.

Specification: Width of blade — 7' 6"  
Depth of blade — 2' 6"  
Weight — 460 lbs.

Fitted in five minutes, with **no** structural alterations to the Land Rover.



**LAND ROVER EXTRAS REQUIRED—**

***NIL***