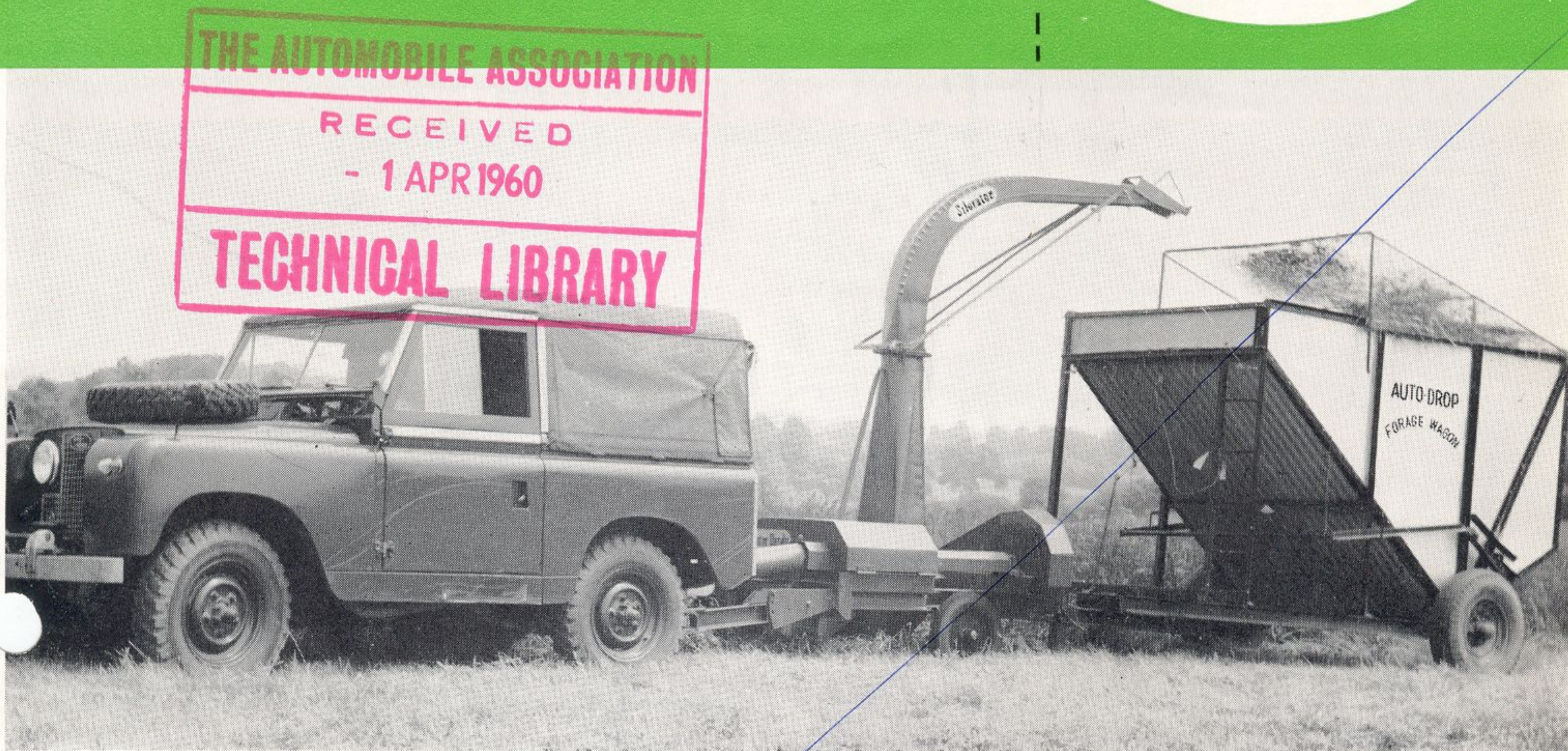


APPROVED BY THE ROVER CO. LTD.
FOR USE WITH THE

THE SILORATOR DANDY FORAGE HARVESTER

**LAND-
ROVER**



SILORATOR DANDY

“First in the Field”

- 52" CUT
- FULLY OFFSET
- AUTOMATIC SWIVELLING
OUTLET PREVENTS LOSS
OF CROP WHEN TURNING
- LOADS TO SIDE, REAR
OR FORWARDS
- COMPLETELY GUARDED
- 12 MONTHS' GUARANTEE

SILORATED SILAGE IS THE ANSWER

The Silorator “Dandy” is a low-priced simple efficient forage harvester which can harvest your crops really economically.

The machine is designed primarily for silage making and zero grazing and with its lacerating action ensures the production of uniform clean high quality winter feed even with crops cut at a later more abundant stage of growth.

SILORATED SILAGE IS IDEAL FOR SELF-FEEDING

With self-fed silage it's quality and uniformity that count. The Silorator will give you both. It lacerates the crop and ensures a much more even degree of fermentation, thus eliminating the danger of selective feeding. The short silorated material is easily pulled out and does not get trampled on. Cattle can feed on it to a greater height than they can with silage made from long material. Above all—thanks to rapid fermentation, silorated silage is higher in protein and real feed value than ordinary silage. Stock, even dairy herds, can be fed on it without concentrates of any kind.

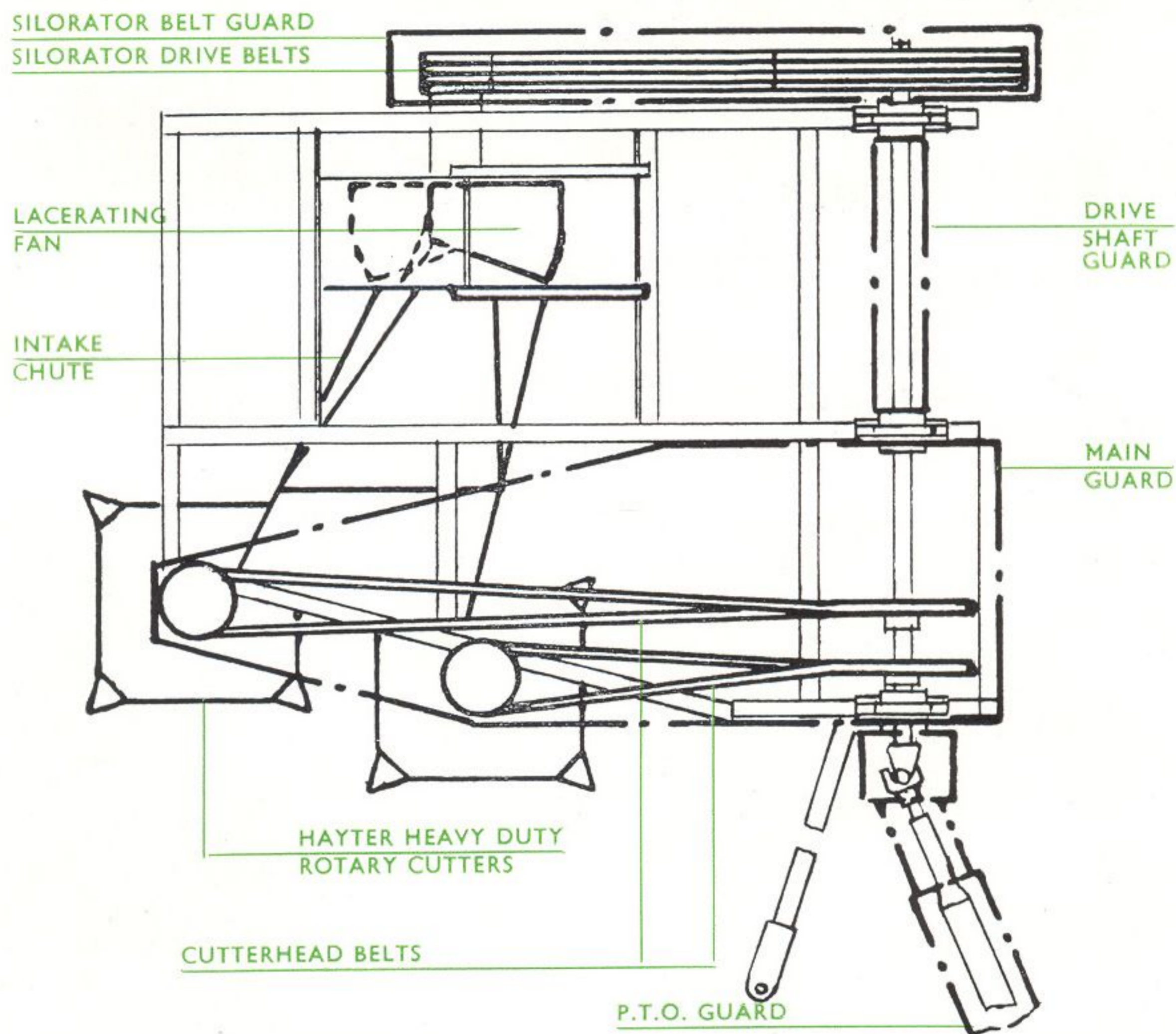
THE LAND ROVER AND THE “DANDY” MAKE A PERFECT COMBINATION FOR HIGH SPEED PASTURE TOPPING.

SILORATORS LTD.

103 PARK STREET, LONDON W.1

Tel. MAY 8222

SILORATOR DANDY SPECIFICATION



Weight	10½ cwts.	533 kilos
Length	9' 2"	280 cm.
Width	7' 11"	242 cm.
Bulk Height	3' 5"	104 cm.
Delivery Height:						
Long Outlet	9' 6"	290 cm.
Short Outlet	7' 0"	214 cm.
Width of cut	52"	132 cm.
Cutting Height	1" - 7"	2.5 cm. - 18 cm.

SHIPPING SPECIFICATIONS

"Dandy" with 1⅜" Splined Shaft (Vulnerable parts protected)	Gross Weight:	1,148 lbs.	Nett Weight:	1,144 lbs.
	Measurements—	85" x 69" x 37"		
Short Outlet Chute (crated) ...	Gross Weight:	151 lbs.	Nett Weight:	66 lbs.
	Measurements—	62" x 27" x 19"		
Long Outlet Chute (crated) ...	Gross Weight:	305 lbs.	Nett Weight:	131 lbs.
	Measurements—	86" x 40" x 35"		

LAND-ROVER EXTRAS REQUIRED:-

- Rear Power Take-Off.
- Engine Oil Cooler for Tropical Climates.